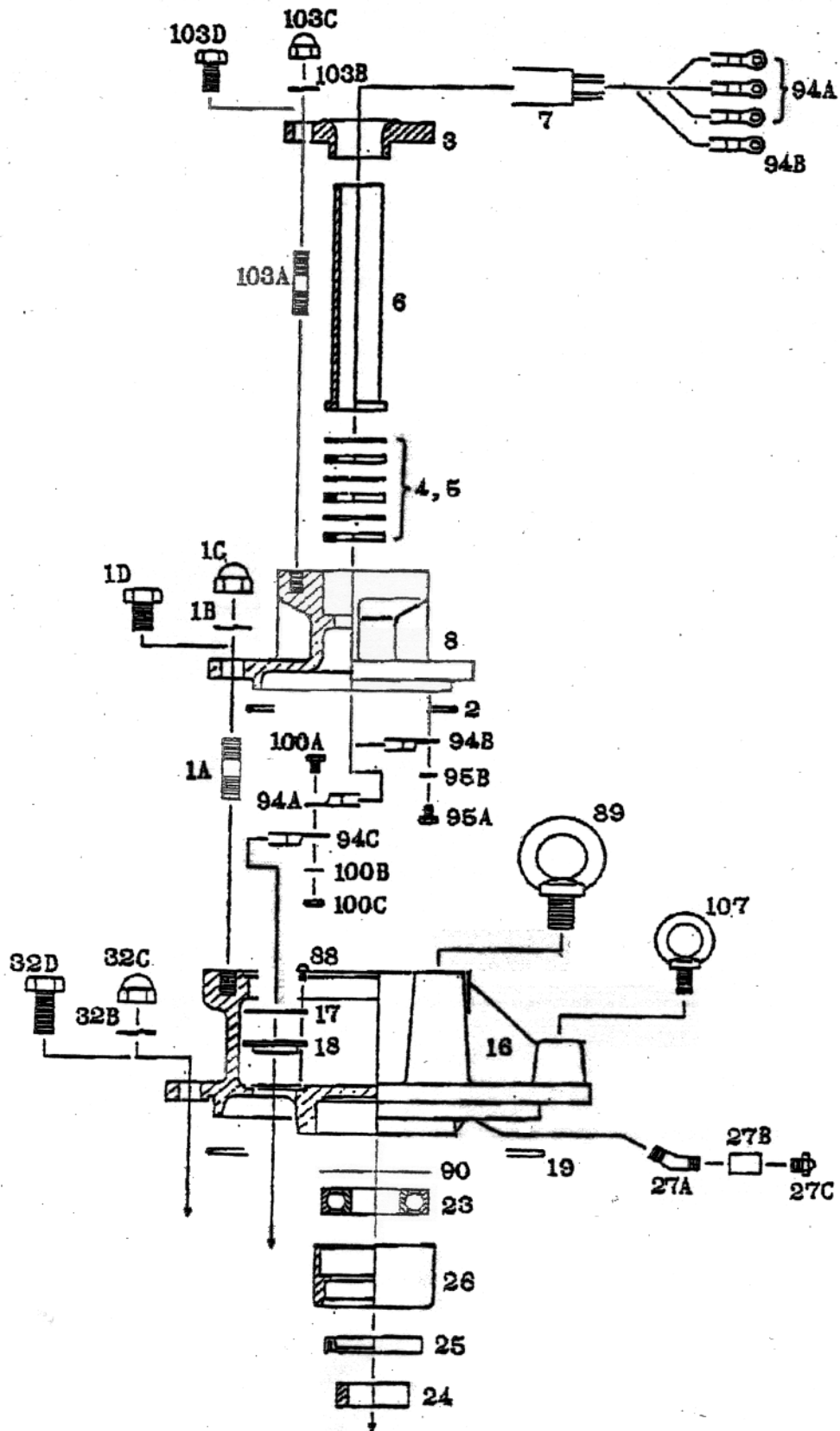


DP50 / DP50B / DP75 / DP75B SERIES SUBMERSIBLE PUMP



TOYO
PUMPS

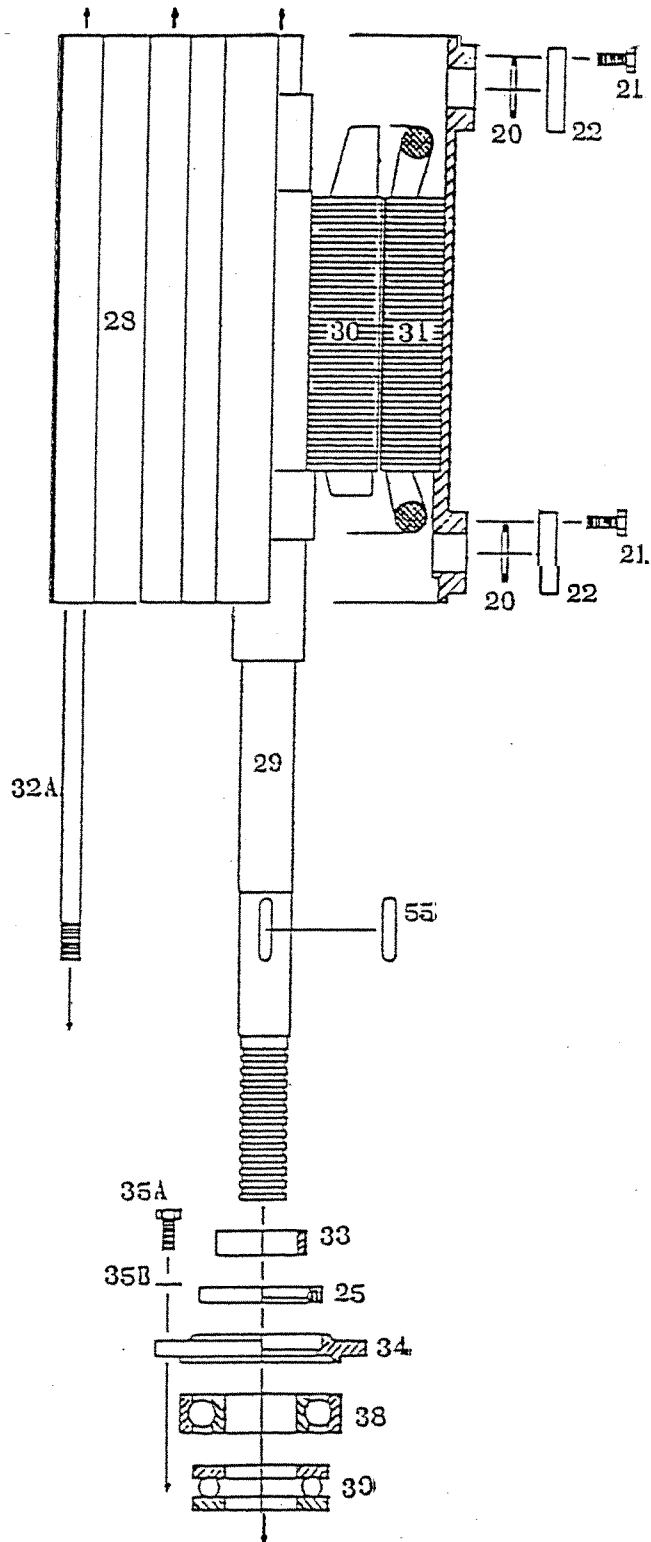
TOYO PUMPS
NORTH AMERICA CORPORATION

UPPER MOTOR HSG. &
SINGLE CABLE ASSEMBLY

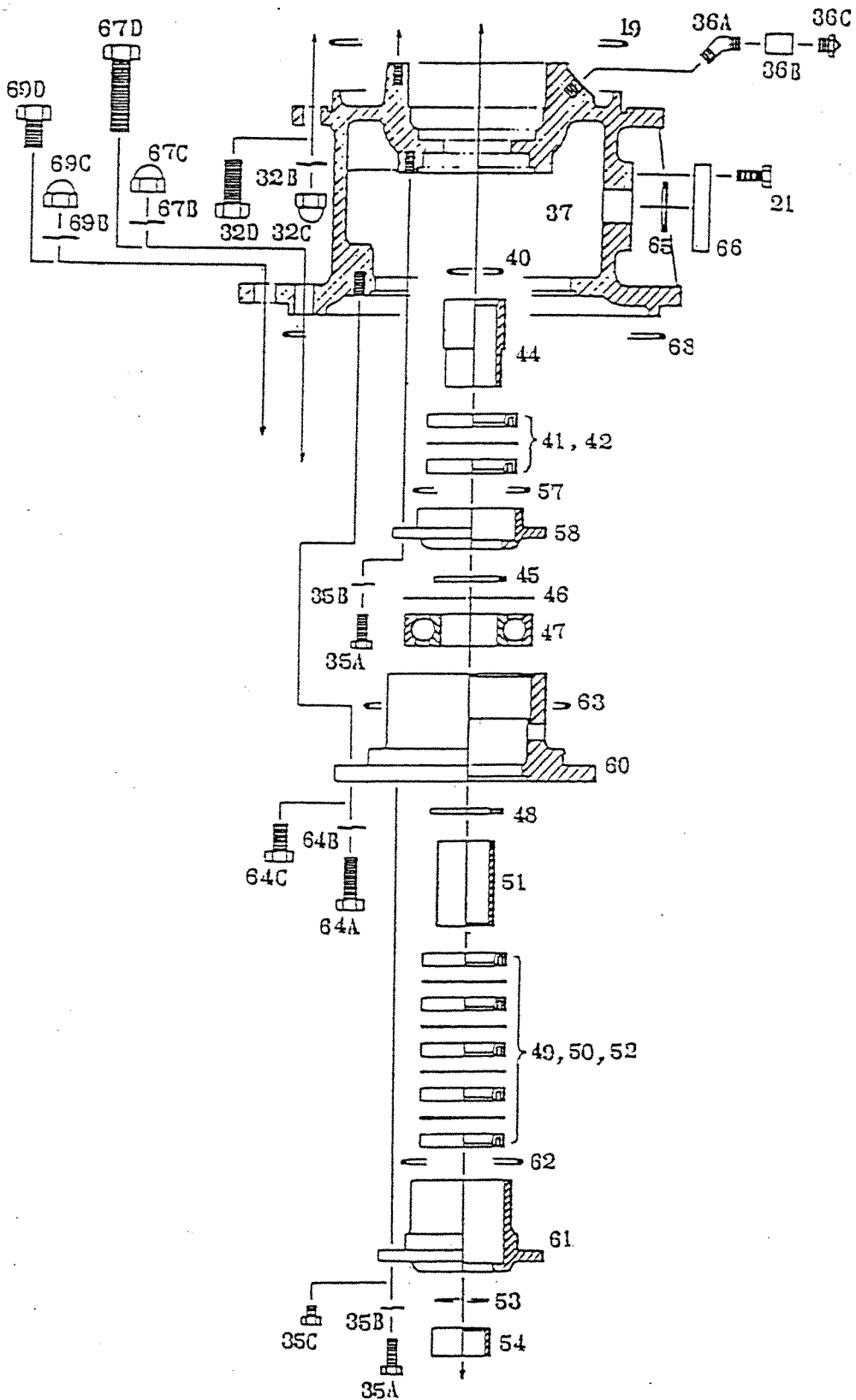
DRAWING NO.
A6242

REV.
0

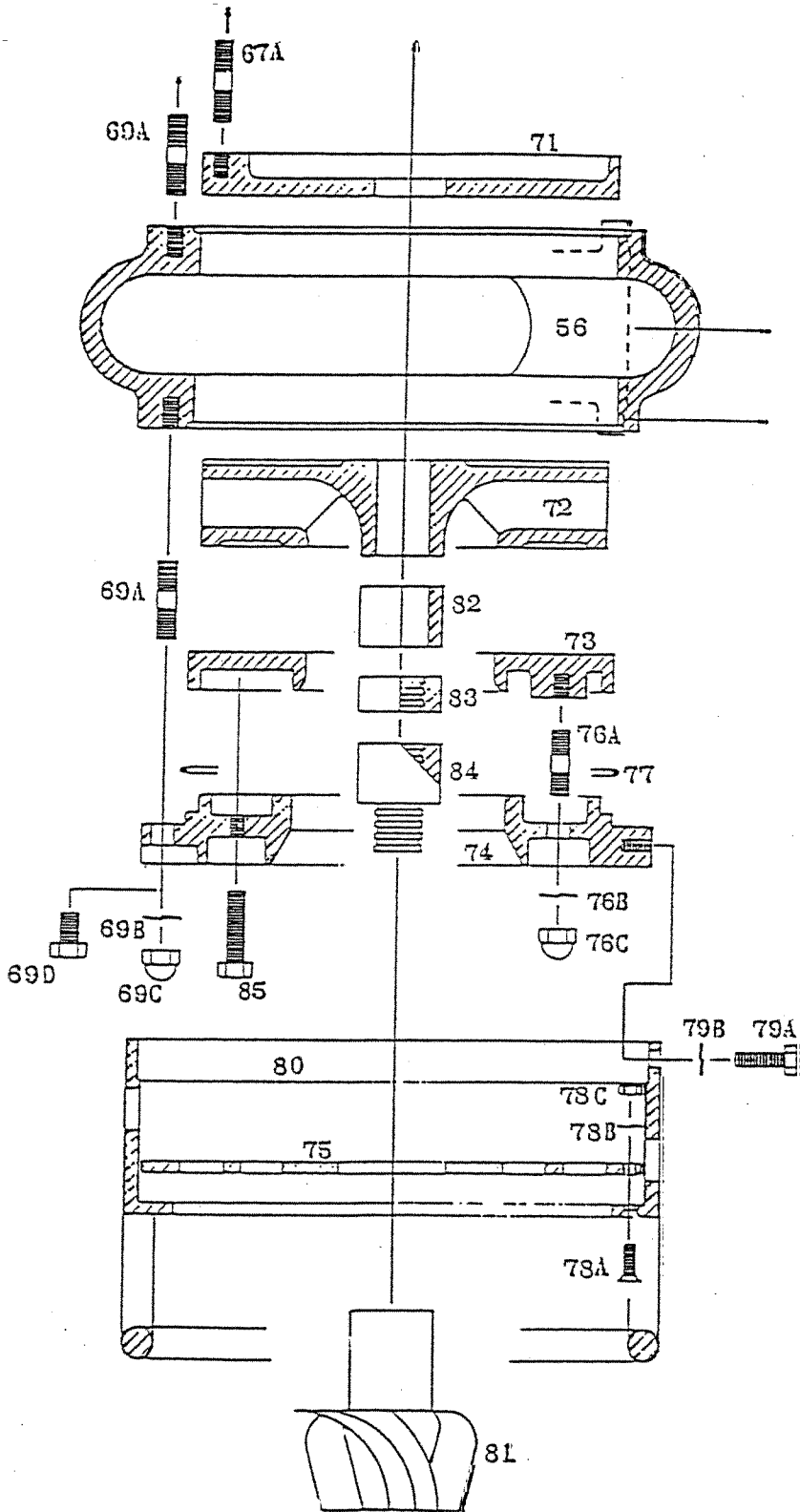
DP50 / DP50B SERIES SUBMERSIBLE PUMP



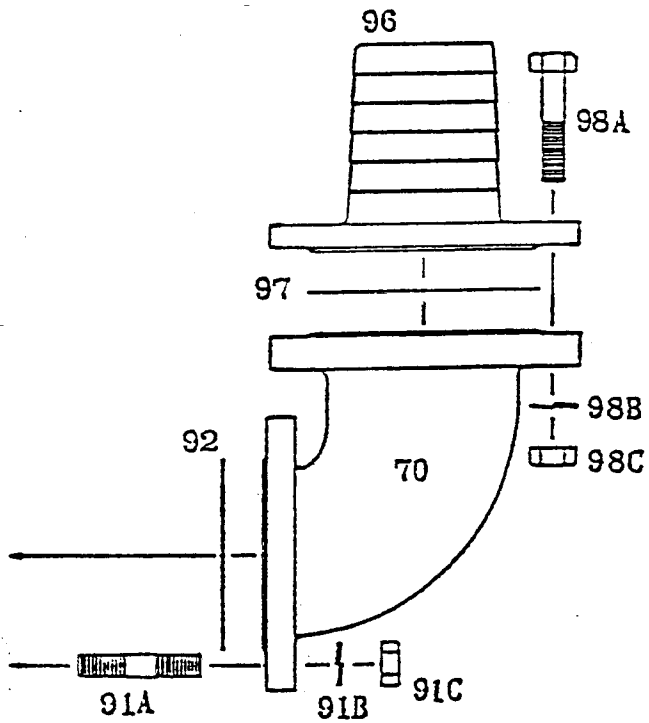
DP50 / DP50B SERIES SUBMERSIBLE PUMP



DP50 / DP50B SERIES SUBMERSIBLE PUMP



DP50 / DP50B SERIES SUBMERSIBLE PUMP





TOYO PUMPS NORTH AMERICA CORPORATION

2853 Douglas Road
 Burnaby, BC V5C 6H2
 Tel: (604) 298-1213 Fax: (604) 298-1224

** CRITICAL SPARES
 * RECOMMENDED SPARES
 KIT ITEMS ARE INCLUDED IN O-RING KIT
 CA ITEMS ARE INCLUDED IN CABLE ASSEMBLY

PARTS LIST - DP50 & DP50B

Ref. Dwg. No. A5643 Rev.0 to A5646 Rev.0 and A6242 Rev.0

TPSD-007 Rev.0

Please use the part number when ordering.

Effective: October 11, 2002

		REF #	PART #	DESCRIPTION	QTY
			013 200 12 10835	Cable assembly (20m length)	1
		1A	040 405 00 01877	Stud bolt	6
		1B	040 432 00 02046	Lock washer	6
		1C	040 427 00 02013	Dome nut	6
		1D	040 405 00 01683	Hex head screw	2
	**	2	062 162 00 02825	O-ring	1
CA		3	50-H192-3	Packing gland	1
CA	**	4	CR-6038	Rubber packing	3
CA	*	5	CS-5038	Packing set ring	2
CA	*	6	CP-6038	Cable protection tube	1
CA		7	013 200 00 04522	Cabtyre cable (std. 20m length)	1m
CA		8	50-H142-3	Lead cover	1
		16	50-141-3	Upper cover	1
		17	30-586	Set plate	1
		18	30-683	Distance plate	1
KIT	**	19	062 162 00 02837	O-ring	2
KIT	**	20	062 162 00 02623	O-ring	2
		21	040 415 00 01746	Hex head screw	16
		22	15-549	Grease inlet cover	2
	*	23	070 200 00 00640	Deep groove ball bearing	1
	*	24	50-768A	Seal ring A	1
	**	25	061 161 00 02345	Lip seal	2
		26	50-158	Bearing housing	1
		27A	50-06PA	Grease inlet pipe A	1
		27B	SK-06P	Socket	1
		27C	GN-06P	Grease nipple	1
		28	50-532-3	Motor case	1
		29	50-713	Shaft	1
		30	50-923	Rotor & shaft assembly	1
		31	50-922-H	Stator & motor case assembly (460 V)	1
		31	50-922-I	Stator & motor case assembly (575 V)	1
		32A	BM-20660	Body clasp bolt	8
		32B	040 432 00 01395	Lock washer	16
		32C	040 427 00 02016	Dome nut	16
		32D	040 405 00 01703	Hex head screw	4
	*	33	50-768B	Seal ring B	1
		34	50-248-3	Bearing cover	1
		35A	040 405 00 01675	Hex head screw	18
		35B	040 432 00 01392	Lock washer	18
		35C	040 405 00 03170	Hex head screw	2
		36A	50-06PB	Grease inlet pipe B	1
		36B	SK-06P	Socket	1
		36C	GN-06P	Grease nipple	1
		37	50-242-3	Under cover	1
	*	38	070 200 00 00642	Deep groove ball bearing	1
	*	39	076 200 00 00699	Thrust ball bearing	1
KIT	**	40	062 162 00 02551	O-ring	1
	**	41	S-875	Lip seal A	2



TOYO PUMPS NORTH AMERICA CORPORATION

2853 Douglas Road

Burnaby, BC V5C 6H2

Tel: (604) 298-1213 Fax: (604) 298-1224

** CRITICAL SPARES

* RECOMMENDED SPARES

KIT ITEMS ARE INCLUDED IN O-RING KIT

CA ITEMS ARE INCLUDED IN CABLE ASSEMBLY

PARTS LIST - DP50 & DP50B

Ref. Dwg. No. A5643 Rev.0 to A5646 Rev.0 and A6242 Rev.0

TPSD-007 Rev.0

Please use the part number when ordering.

Effective: October 11, 2002

	REF #	PART #	DESCRIPTION	QTY	
	42	50-568	Space ring A	1	
**	44	50-778A	Shaft sleeve A	1	
	45	50-788A	Bearing lock plate A	1	
	46	50-968B	Stop ring B	1	
*	47	070 200 00 00640	Deep groove ball bearing	1	
	48	50-788B	Bearing lock plate B	1	
**	49	S-875	Lip seal B	3	
	50	50-568	Space ring B	4	
**	51	250 050 12 03752	Shaft sleeve B	1	
**	52	061 128 00 02848	Lip seal B (Rareflon)	2	
KIT	**	062 162 00 02621	O-ring	1	
	**	50-771	Distance sleeve	1	
	*	50-717	Key	1	
	*	101 004 01 04916	Vortex casing	1	
KIT	**	062 162 00 02811	O-ring	1	
		58	50-258A-3	Lip seal housing A	1
		60	50-244-3	Oil chamber cover	1
		61	50-258B-3	Lip seal housing B	1
KIT	**	062 162 00 02813	O-ring	1	
KIT	**	062 162 00 02827	O-ring	1	
		64A	040 405 00 01694	Hex head screw	6
		64B	040 432 00 01389	Lock washer	6
		64C	040 405 00 01691	Hex head screw	2
KIT	**	062 162 00 02623	O-ring	2	
		66	15-542	Oil inlet cover	2
		67A	040 405 00 02077	Stud bolt	8
		67B	040 432 00 01395	Lock washer	8
		67C	040 427 00 02016	Dome nut	8
		67D	040 405 00 01707	Hex head screw	2
KIT	**	062 162 00 02841	O-ring	1	
		69A	040 405 00 02080	Stud bolt	16
		69B	040 432 00 01395	Lock washer	16
		69C	040 427 00 02016	Dome nut	16
		69D	040 405 00 01702	Hex head screw	4
		70	15B-309-3	Bend (DP50)	1
		70	50B-309/10K3	Bend (DP50B)	1
	*	104 011 12 03762	Delivery cover	1	
	**	50-406	Impeller (60 hz)	1	
	**	202 011 01 04929	Impeller (50 hz)	1	
	**	50-403-3	Impeller disc	1	
	*	50-340-3	Suction cover	1	
		75	50-583	Strainer plate	1
		76A	040 405 00 02077	Stud bolt	4
		76B	040 432 00 01395	Lock washer	4
		76C	040 427 00 02016	Dome nut	4
	**	062 162 00 02841	O-ring	1	
		78A	040 407 00 01997	Flat head screw	8
		78B	040 432 00 02046	Lock washer	8
		78C	040 428 00 01403	Nut	8



TOYO PUMPS NORTH AMERICA CORPORATION

2853 Douglas Road
 Burnaby, BC V5C 6H2
 Tel: (604) 298-1213 Fax: (604) 298-1224

** CRITICAL SPARES
 * RECOMMENDED SPARES
 KIT ITEMS ARE INCLUDED IN O-RING KIT
 CA ITEMS ARE INCLUDED IN CABLE ASSEMBLY

PARTS LIST - DP50 & DP50B

Ref. Dwg. No. A5643 Rev.0 to A5646 Rev.0 and A6242 Rev.0

TPSD-007 Rev.0

Please use the part number when ordering.

Effective: October 11, 2002

	REF #	PART #	DESCRIPTION	QTY
	79A	040 405 00 01694	Hex head screw	4
	79B	040 432 00 01389	Lock washer	4
	80	50-503	Strainer	1
**	81	207 011 12 03768	Pump agitator	1
*	82	50-791	Impeller collar	1
*	83	50-793	Impeller nut	1
**	84	50-711	Connective	1
	85	040 415 00 01763	Hex head screw	4
	88	040 440 00 01768	Set machine screw	3
	89	040 072 00 02054	Eye bolt	2
	90	50-968A	Stop ring A	1
	91A	040 412 00 01845	Stud bolt	8
	91B	040 416 00 02032	Lock washer	8
	91C	040 412 00 01787	Dome nut	8
	92	060 164 00 03207	Plate packing	1
	94A	PT-3810	Press terminal	3
	94B	PT-0506	Press terminal	1
	94C	PT-2210	Press terminal	3
	95A	404 400 00 01771	Hex head screw	1
	95B	040 440 00 01431	Washer	1
	96	15B-109	Hose nipple (DP50)	1
	96	50B-109/10K	Hose nipple (DP50B)	1
*	97	060 164 00 03208	Plate packing (DP50)	1
*	97	060 164 00 03210	Plate packing (DP50B)	1
	98A	040 405 00 01708	Hex head screw	8
	98B	040 432 00 01395	Lock washer	8
	98C	040 428 00 01394	Nut	8
	103A	040 405 00 01877	Stud bolt	4
	103B	040 432 00 02046	Lock washer	4
	103C	040 427 00 02013	Dome nut	4
	107	040 072 00 01387	Eye bolt	1
**	KIT	952 200 12 10804	O-Ring kit	1
		821 200 12 06774	Water jacket	1