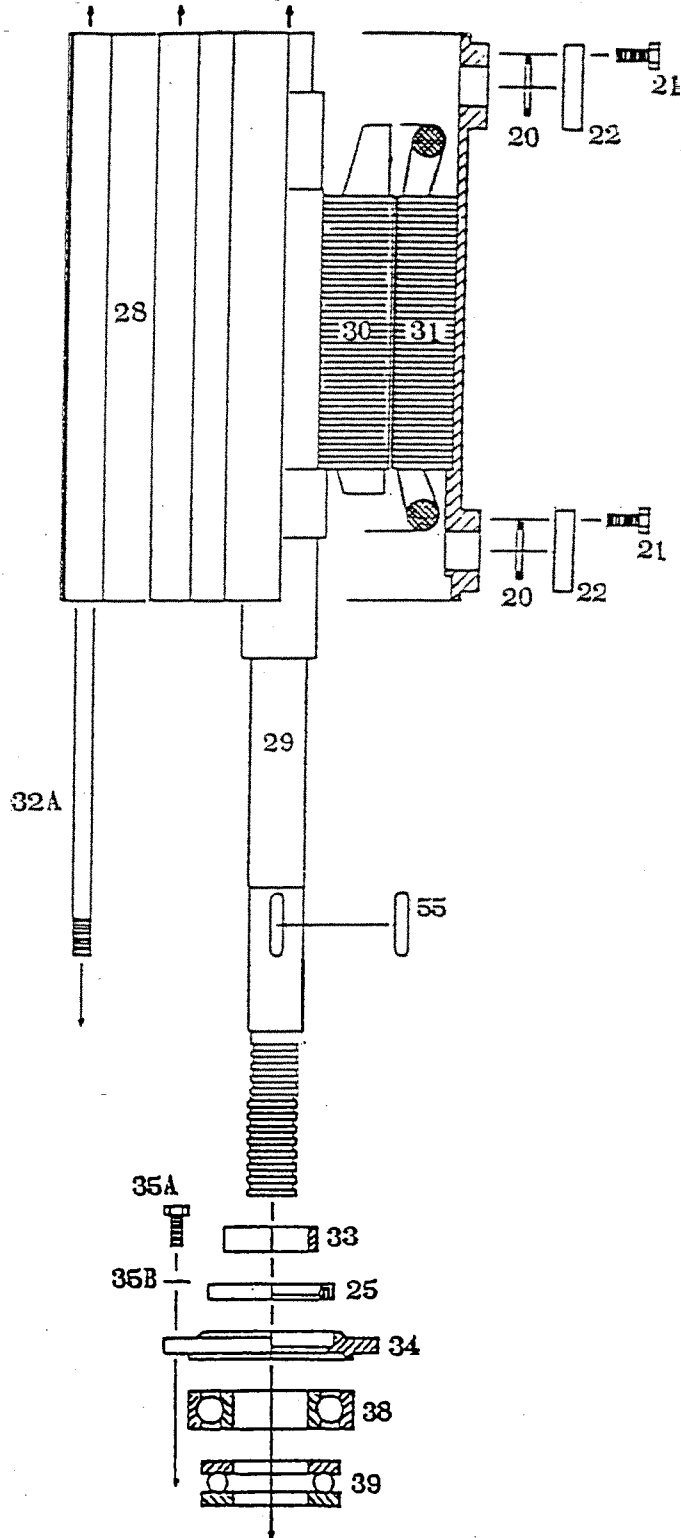


DP30 / DP30B SERIES SUBMERSIBLE PUMP



TOYO
PUMPS

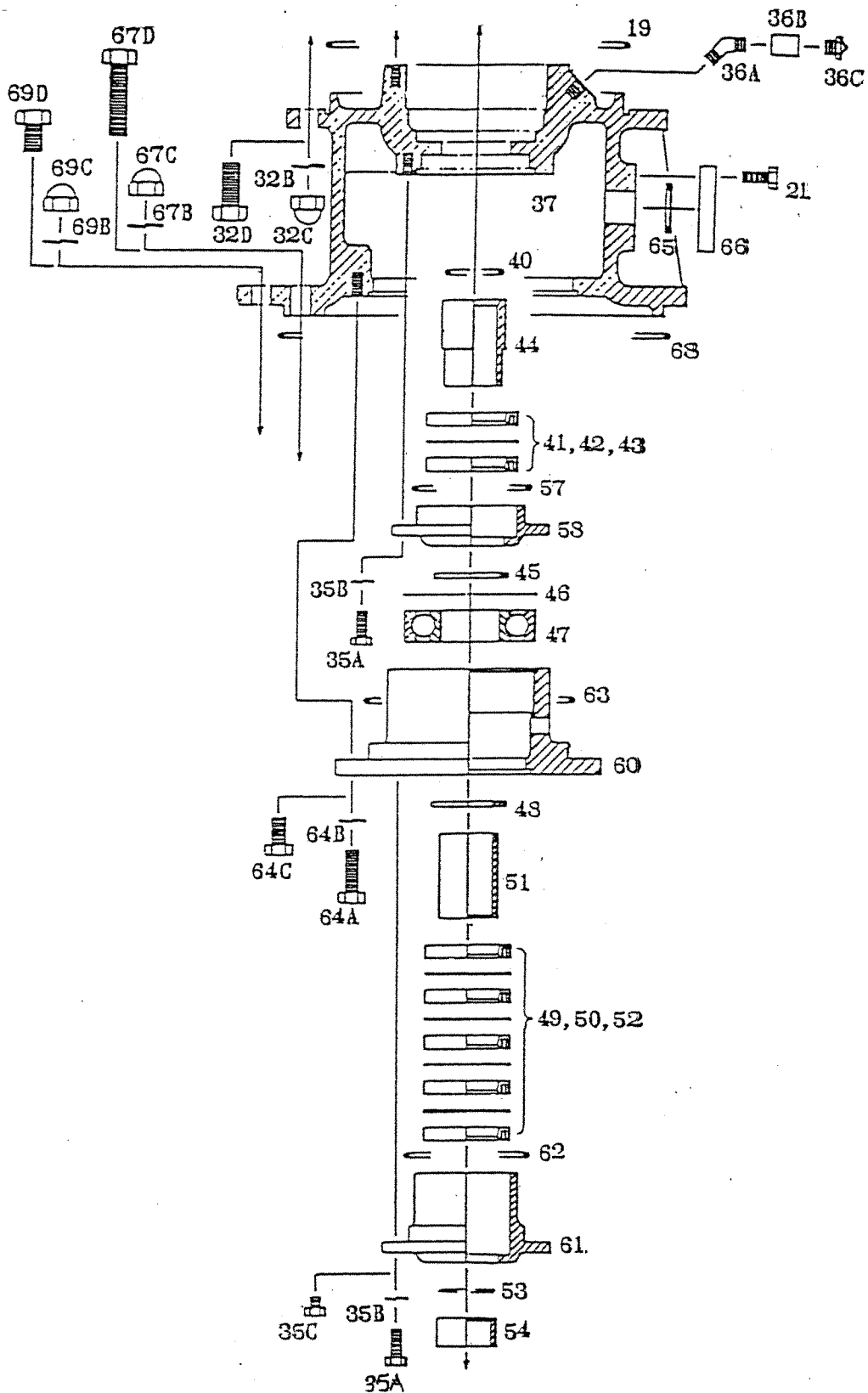
TOYO PUMPS
NORTH AMERICA CORPORATION

EXPLODED VIEW
MOTOR ASSEMBLY

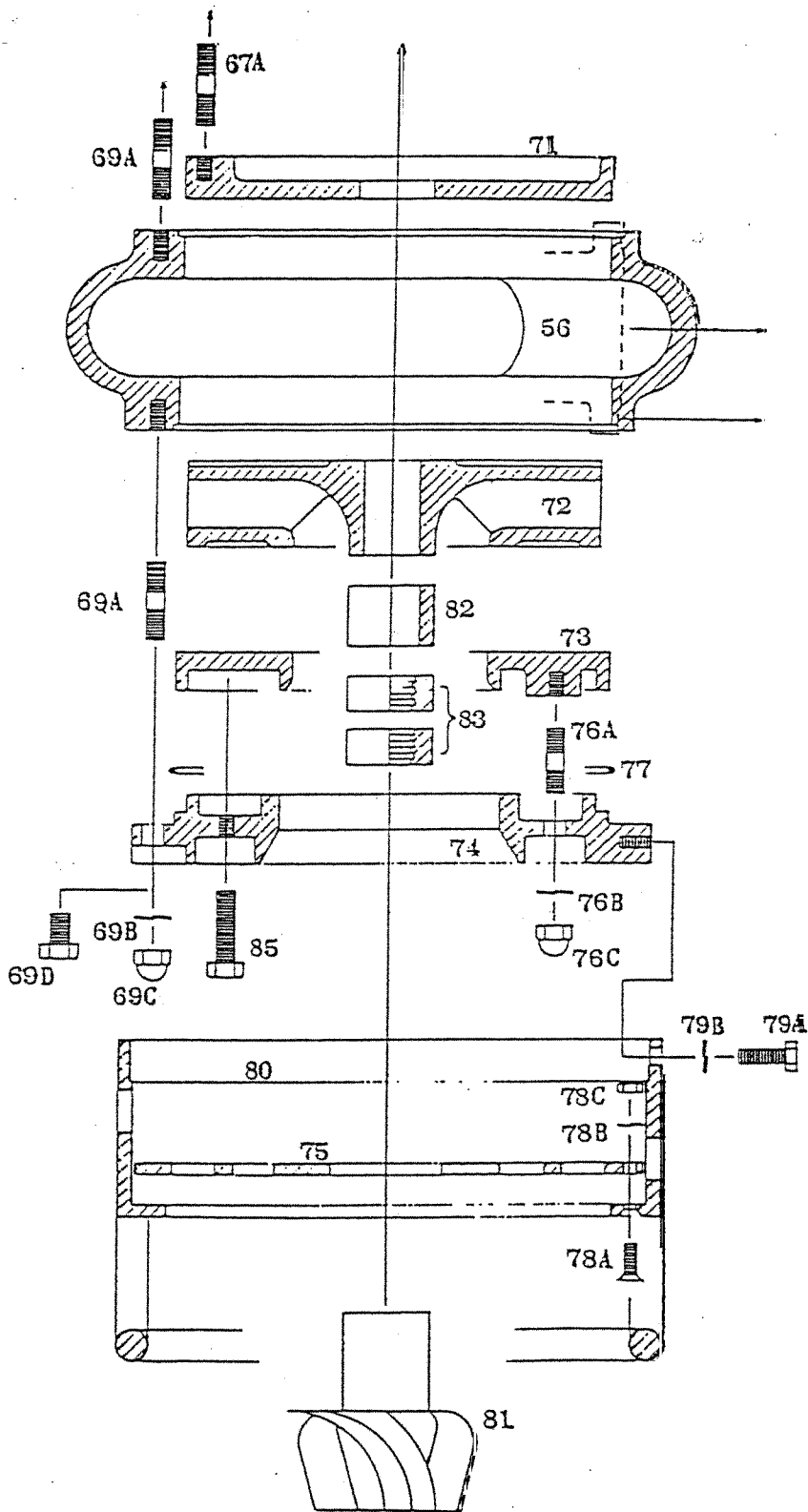
DRAWING NO.
A5637

REV.
0

DP30 / DP30B SERIES SUBMERSIBLE PUMP



DP30 / DP30B SERIES SUBMERSIBLE PUMP



TOYO
PUMPS

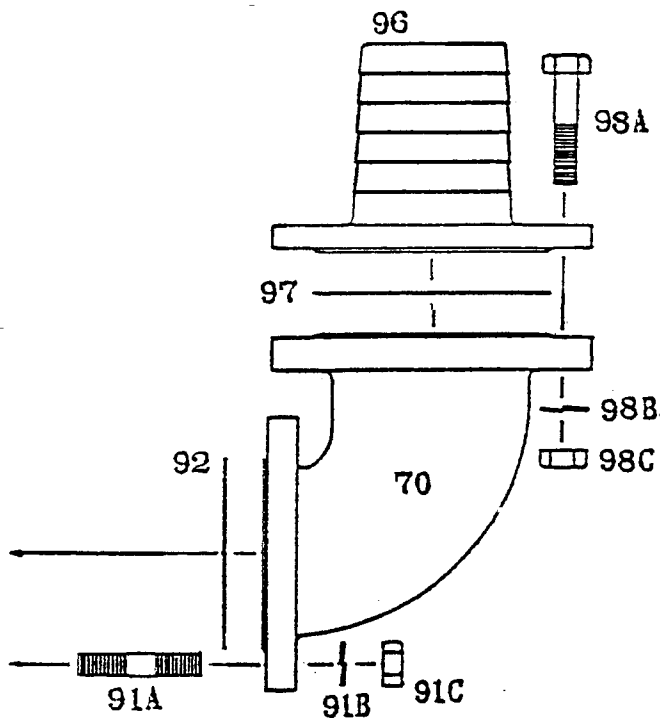
TOYO PUMPS
NORTH AMERICA CORPORATION

EXPLODED VIEW
WET END

DRAWING NO.
A5639

REV.
0

DP30 / DP30B SERIES SUBMERSIBLE PUMP





TOYO PUMPS NORTH AMERICA CORPORATION

2853 Douglas Road

Burnaby, BC V5C 6H2

Tel: (604) 298-1213 Fax: (604) 298-1224

** CRITICAL SPARES

* RECOMMENDED SPARES

KIT ITEMS ARE INCLUDED IN O-RING KIT

CA ITEMS ARE INCLUDED IN CABLE ASSEMBLY

PARTS LIST - DP30 & DP30B

Ref. Dwg. No. A5637 Rev.0 to A5640 Rev.0 and A6241 Rev.0

TPSD-006 Rev.0

Please use the part number when ordering.

Effective: October 11, 2002

	REF #	PART #	DESCRIPTION	QTY
		013 200 12 10833	Cable assembly without moisture sensor (20m length)	1
	1A	040 405 00 01877	Stud bolt	6
	1B	040 432 00 02046	Lock washer	6
	1C	040 427 00 02013	Dome nut	6
	1D	040 405 00 01683	Hex head screw	2
	** 2	062 162 00 02821	O-ring	1
CA	3	30-H192-3	Packing gland	1
CA	** 4	CR-6014	Rubber packing	3
CA	* 5	CS-5014	Packing set ring	3
CA	* 6	CP-6014	Cable protection tube	1
CA	7	013 200 00 08066	Cabtyre cable (std. 20m length)	1m
CA	8	30-H142-3	Lead cover	1
	16	30-141-3	Upper cover	1
	17	30-586	Set plate	1
	18	30-683	Distance plate	1
KIT	** 19	062 162 00 02836	O-ring	2
KIT	** 20	062 162 00 02623	O-ring	2
	21	040 415 00 01746	Hex head screw	16
	22	15-549	Grease inlet cover	2
	* 23	070 200 00 00638	Deep groove ball bearing	1
	24	30-768A	Seal ring A	1
	** 25	061 161 00 02649	Lip seal	2
	26	30-158-3	Bearing housing	1
	27A	30-06PA	Grease inlet pipe A	1
	27B	SK-06P	Socket	1
	27C	GN-06P	Grease nipple	1
	28	30-S532-3	Motor case	1
	29	30-713	Shaft	1
	30	30-923-1	Rotor and shaft assembly	1
	31	30-922-H	Stator & motor case assembly-460v (pumps mfg before 1973)	1
	31	30-922-1H	Stator & motor case assembly-460v (pumps mfg after 1973, s/n 18410 & higher)	1
	31	30-922-I	Stator & motor case assembly-575v (pumps mfg before 1973)	1
	31	30-922-1I	Stator & motor case assembly-575v (pumps mfg after 1973, s/n 18410 & higher)	1
	32A	BM-16560	Body clasp bolt	8
	32B	040 432 00 01389	Lock washer	16
	32C	040 427 00 02014	Dome nut	16
	32D	040 405 00 01694	Hex head screw	4
	33	30-768B	Seal ring B	1
	34	30-248-3	Bearing cover	1
	35A	040 405 00 01675	Hex head screw	18
	35B	040 432 00 01392	Lock washer	18
	35C	040 405 00 03170	Hex head screw	2



TOYO PUMPS NORTH AMERICA CORPORATION

2853 Douglas Road

Burnaby, BC V5C 6H2

Tel: (604) 298-1213 Fax: (604) 298-1224

** CRITICAL SPARES

* RECOMMENDED SPARES

KIT ITEMS ARE INCLUDED IN O-RING KIT

CA ITEMS ARE INCLUDED IN CABLE ASSEMBLY

PARTS LIST - DP30 & DP30B

Ref. Dwg. No. A5637 Rev.0 to A5640 Rev.0 and A6241 Rev.0

TPSD-006 Rev.0

Please use the part number when ordering.

Effective: October 11, 2002

	REF #	PART #	DESCRIPTION	QTY	
	36A	30-06PB	Grease inlet pipe B	1	
	36B	SK-06P	Socket	1	
	36C	GN-06P	Grease nipple	1	
	37	30-242-3	Under cover (DP30)	1	
	37	30B-242-3	Under cover (DP30B)	1	
	*	38	070 200 00 00640	Deep groove ball bearing	1
	*	39	076 200 00 00698	Thrust ball bearing	1
KIT	**	40	062 162 00 02551	O-ring	1
	**	41	061 161 00 02587	Lip seal A	1
		42	714 080 12 08067	Space ring A	1
	**	43	061 128 00 02847	Lip seal A	1
	**	44	707 050 12 03691	Shaft sleeve A	1
		45	30-788A	Bearing lock plate A	1
		46	30-968B	Stop ring B	1
	*	47	070 200 00 00638	Deep groove ball bearing	1
		48	30-788B	Bearing lock plate B	1
	**	49	061 161 00 02544	Lip seal B	3
		50	30-569	Space ring B	4
	**	51	30-778B	Shaft sleeve B	1
	**	52	061 128 00 02846	Lip seal B	2
KIT	**	53	062 162 00 02551	O-ring	1
	*	54	30-771	Distance sleeve	1
	*	55	30-717	Key	1
	*	56	30-300-3	Vortex casing (DP30)	1
	*	56	30B-300-3	Vortex casing (DP30B)	1
KIT	**	57	062 162 00 02810	O-ring	1
		58	30-258A-3	Lip seal housing A	1
		60	30-244-3	Oil chamber cover	1
		61	30-258B-3	Lip seal housing B	1
KIT	**	62	062 162 00 02811	O-ring	1
KIT	**	63	062 162 00 02613	O-ring	1
		64A	040 405 00 01686	Hex head screw	6
		64B	040 432 00 02046	Lock washer	6
		64C	040 405 00 01683	Hex head screw	2
KIT	**	65	062 162 00 02623	O-ring	2
		66	15-542	Oil inlet cover	2
		67A	040 405 00 01892	Stud bolt	4
		67B	040 432 00 01389	Lock washer	4
		67C	040 427 00 02014	Dome nut	4
		67D	040 405 00 01582	Hex head screw	2
	**	68	062 162 00 03972	O-ring (DP30)	1
	**	68	062 162 00 02840	O-ring (DP30B)	1
		69A	040 405 00 01892	Stud bolt	16
		69B	040 432 00 01389	Lock washer	16
		69C	040 427 00 02014	Dome nut	16
		69D	040 405 00 01691	Hex head screw	4
		70	15-309-3	Bend (DP30)	1
		70	15B-309-3	Bend (DP30B)	1
	*	71	30-442-3	Delivery cover (DP30)	1



TOYO PUMPS NORTH AMERICA CORPORATION

2853 Douglas Road

Burnaby, BC V5C 6H2

Tel: (604) 298-1213 Fax: (604) 298-1224

** CRITICAL SPARES

* RECOMMENDED SPARES

KIT ITEMS ARE INCLUDED IN O-RING KIT

CA ITEMS ARE INCLUDED IN CABLE ASSEMBLY

PARTS LIST - DP30 & DP30B

Ref. Dwg. No. A5637 Rev.0 to A5640 Rev.0 and A6241 Rev.0

TPSD-006 Rev.0

Please use the part number when ordering.

Effective: October 11, 2002

	REF #	PART #	DESCRIPTION	QTY
*	71	30B-442-3	Delivery cover (DP30B)	1
*	72	30-406	Impeller (DP30,60hz)	1
*	72	30-405	Impeller (DP30, 50hz)	1
*	72	30B-406	Impeller (DP30B,60hz)	1
**	73	30-403-3	Impeller disc (DP30)	1
**	73	30B-403-3	Impeller disc (DP30B)	1
*	74	30-340-3	Suction cover (DP30)	1
*	74	30B-340-3	Suction cover (DP30B)	1
	75	30-583	Strainer plate (DP30)	1
	75	30B-583	Strainer plate (DP30B)	1
	76A	040 405 00 01890	Stud bolt (DP30)	4
	76A	040 405 00 01892	Stud bolt (DP30B)	4
	76B	040 432 00 01389	Lock washer	4
	76C	040 427 00 02014	Dome nut	4
**	77	062 162 00 03972	O-ring (DP30)	1
**	77	062 162 00 02840	O-ring (DP30B)	1
	78A	040 407 00 01983	Flat head screw	8
	78B	040 432 00 01392	Lock washer	8
	78C	040 428 00 01391	Nut	8
	79A	040 405 00 01694	Hex head screw (DP30)	4
	79A	040 405 00 01686	Hex head screw (DP30B)	4
	79B	040 432 00 01389	Lock washer (DP30)	4
	79B	040 432 00 02046	Lock washer (DP30B)	4
	80	30-503	Strainer (DP30)	1
	80	30B-503	Strainer (DP30B)	1
**	81	30-499	Pump agitator	1
*	82	30-791	Impeller collar	1
*	83	30-793	Impeller nut	2
	85	040 415 00 01758	Hex head screw	4
	88	004 044 00 01768	Set machine screw	3
	89	040 072 00 02054	Eye bolt	2
	90	30-968A	Stop ring A	1
	91A	040 412 00 01834	Stud bolt (DP30)	8
	91A	040 412 00 01845	Stud bolt (DP30B)	8
	91B	040 416 00 02032	Lock washer (DP30)	8
	91B	040 417 00 02042	Lock washer (DP30B)	8
	91C	040 412 00 01787	Dome nut (DP30)	8
	91C	040 412 00 01788	Dome nut (DP30B)	8
*	92	060 164 00 03205	Plate packing (DP30)	1
*	92	060 164 00 03207	Plate packing (DP30B)	1
	94	PT-1406	Press terminal	7
	95A	040 440 00 01772	Hex head screw	1
	95B	040 440 00 01431	Washer	1
	96	15-109	Hose nipple (DP30)	1
	96	15B-109	Hose nipple (DP30B)	1
*	97	060 164 00 03206	Plate packing (DP30)	1
*	97	060 164 00 03208	Plate packing (DP30B)	1
	98A	040 405 00 01583	Hex head screw (DP30)	8
	98A	040 405 00 01708	Hex head screw (DP30B)	8
	98B	040 432 00 01389	Lock washer (DP30)	8
	98B	040 432 000 1395	Spring wash (DP30B)	8



TOYO PUMPS NORTH AMERICA CORPORATION

2853 Douglas Road

Burnaby, BC V5C 6H2

Tel: (604) 298-1213 Fax: (604) 298-1224

** CRITICAL SPARES

* RECOMMENDED SPARES

KIT ITEMS ARE INCLUDED IN O-RING KIT

CA ITEMS ARE INCLUDED IN CABLE ASSEMBLY

PARTS LIST - DP30 & DP30B

Ref. Dwg. No. A5637 Rev.0 to A5640 Rev.0 and A6241 Rev.0

TPSD-006 Rev.0

Please use the part number when ordering.

Effective: October 11, 2002

	REF #	PART #	DESCRIPTION	QTY
	98C	040 412 00 01787	Dome nut (DP30)	8
	98C	040 428 00 01394	Dome nut (DP30B)	8
	100A	040 440 00 01771	Terminal Hex head screw	3
	100B	040 440 00 01431	Washer	3
	100C	040 440 00 01803	Nut	3
	106A	040 405 00 01877	Stud bolt	4
	106B	040 432 00 02046	Lock washer	4
	106C	040 427 00 02013	Dome nut	4
	106D	040 405 00 01683	Hex head screw	2
	107	040 072 00 02051	Eye bolt	1
	** KIT	952 200 12 10803	O-Ring kit	1
		821 200 12 04510	Water jacket	1