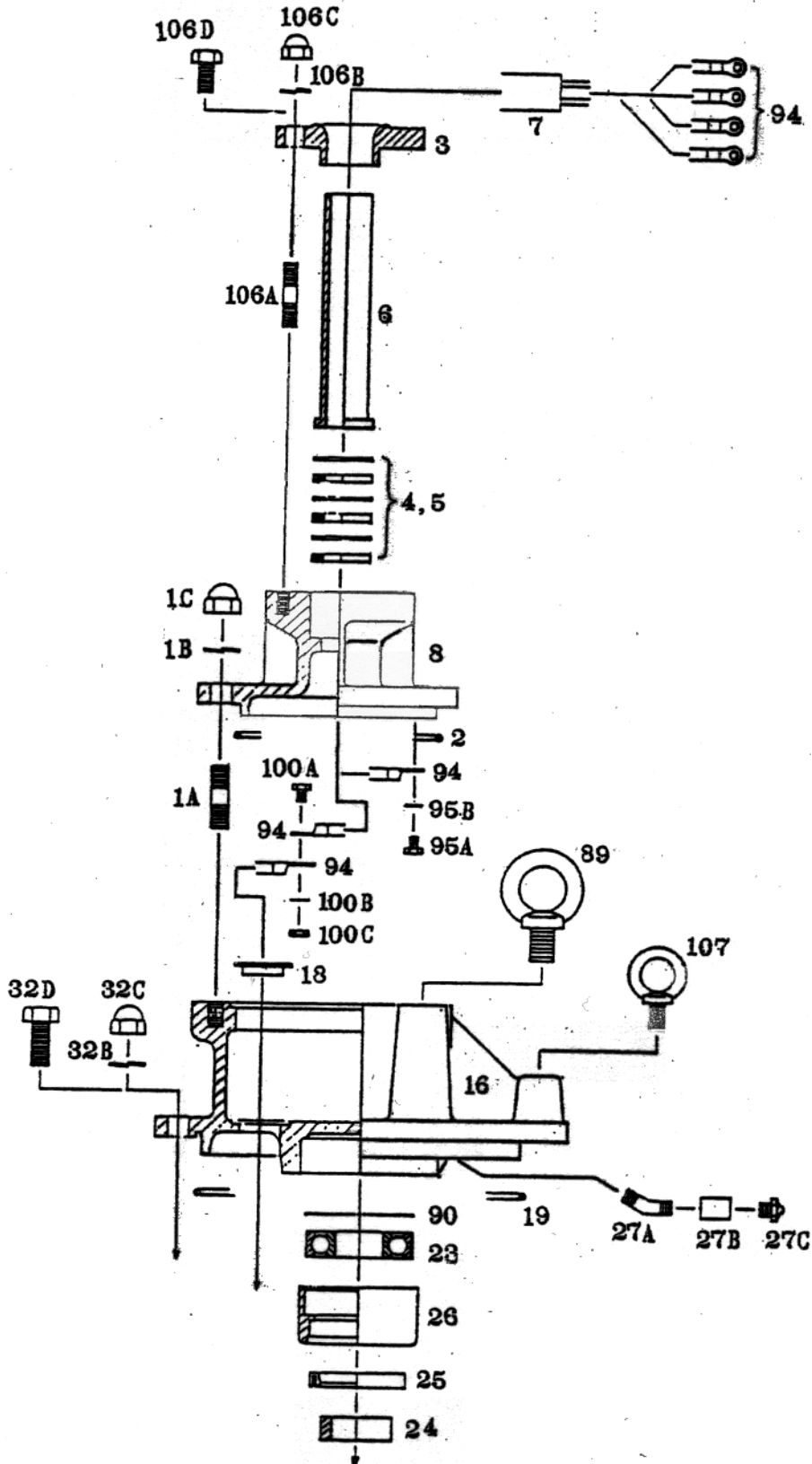


DP20 / DP20B SERIES SUBMERSIBLE PUMP



TOYO
PUMPS

TOYO PUMPS
NORTH AMERICA CORPORATION

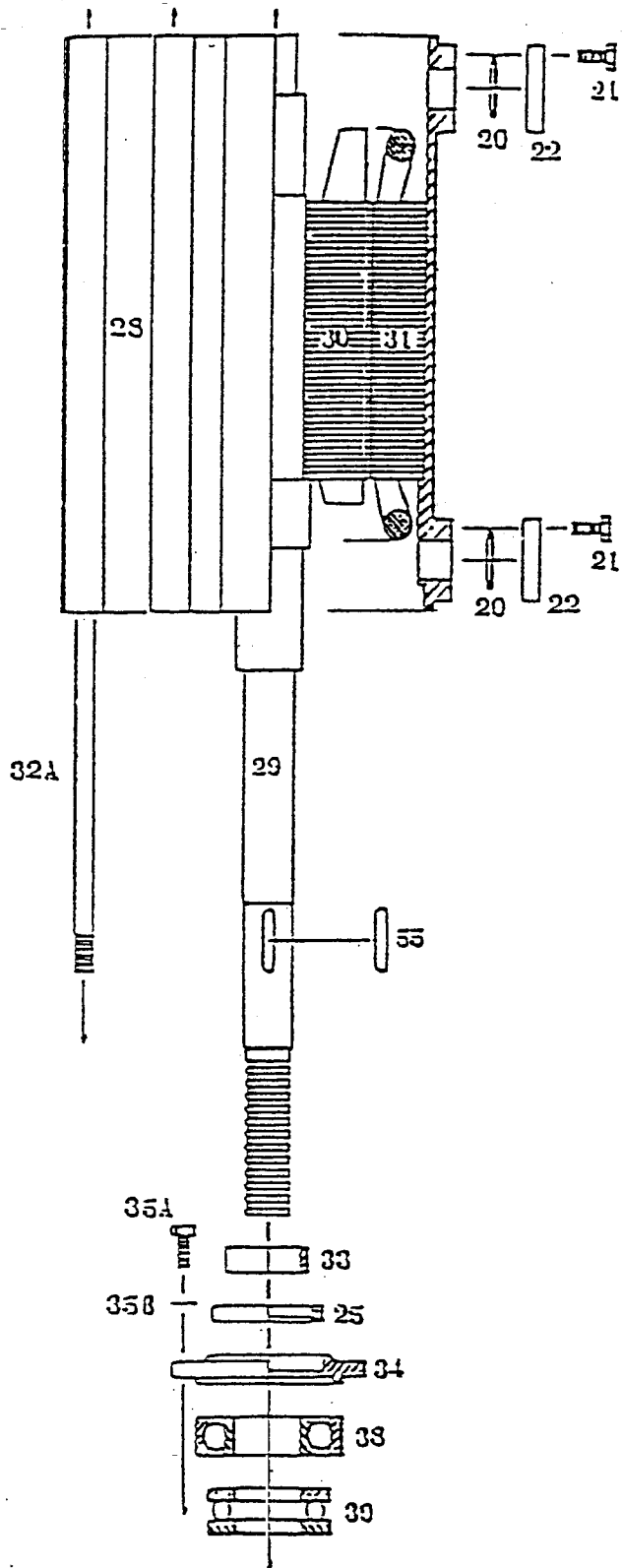
EXPLODED VIEW
UPPER MOTOR HSG. & SINGLE
CABLE ASSY.

DRAWING NO.
A6230

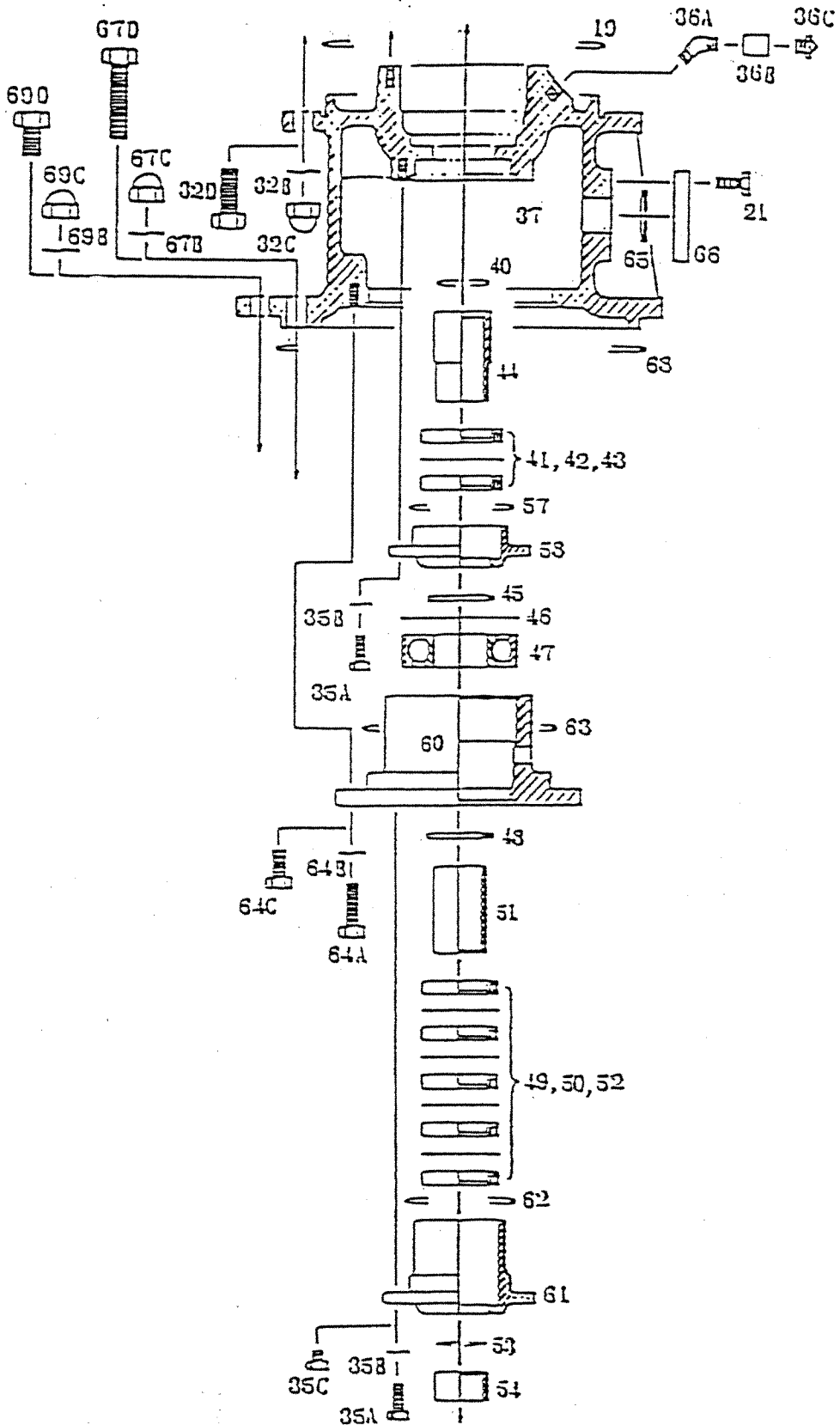
REV.
0

TOYO PUMPS RESERVES THE RIGHT TO CHANGE ANY OR ALL COMPONENTS WITHOUT NOTICE

DP20 / DP20B SERIES SUBMERSIBLE PUMP



DP20 / DP20B SERIES SUBMERSIBLE PUMP



TOYO
PUMPS

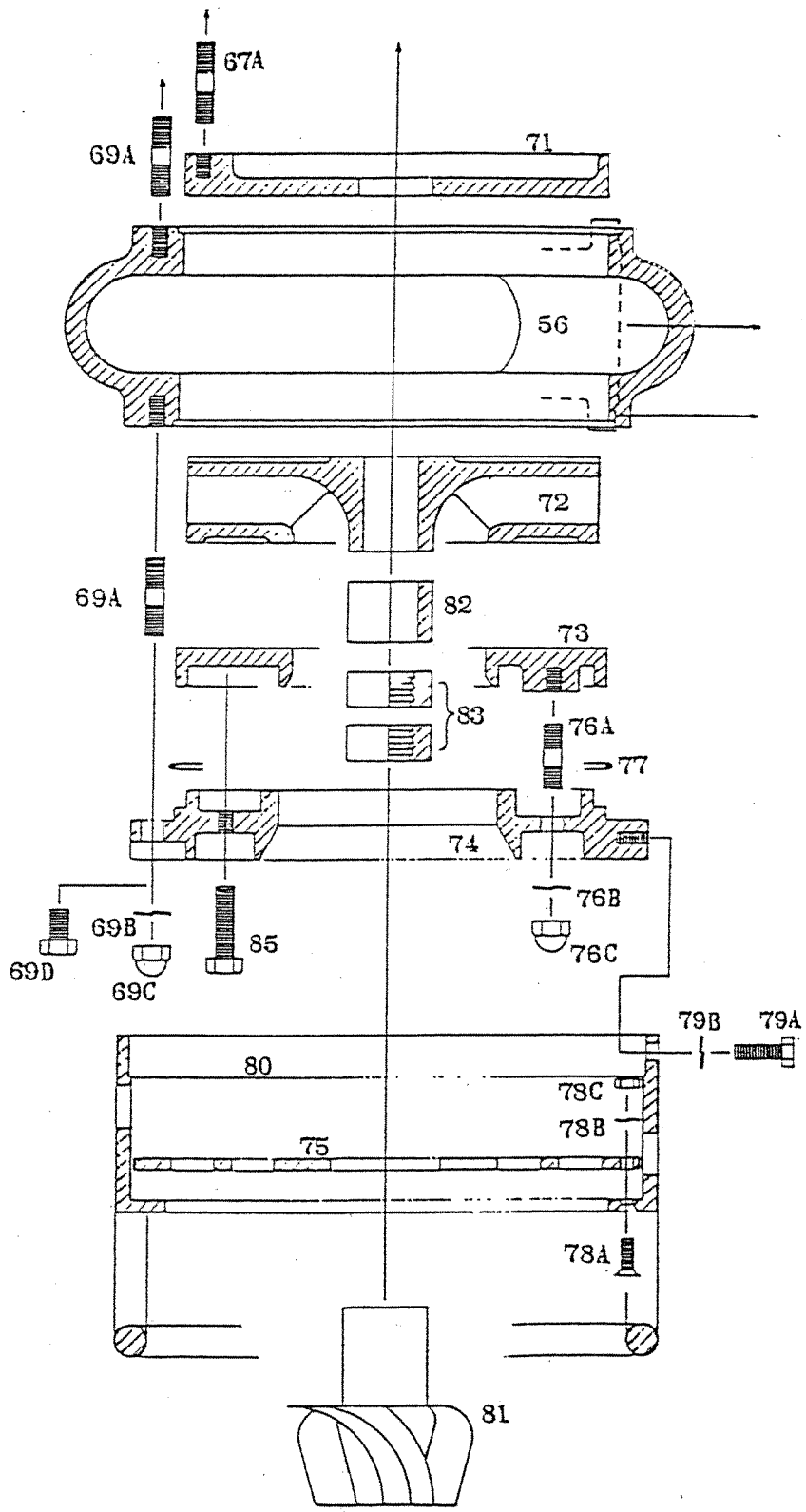
TOYO PUMPS
NORTH AMERICA CORPORATION

EXPLODED VIEW
OIL CHAMBER & SEAL ASSEMBLY

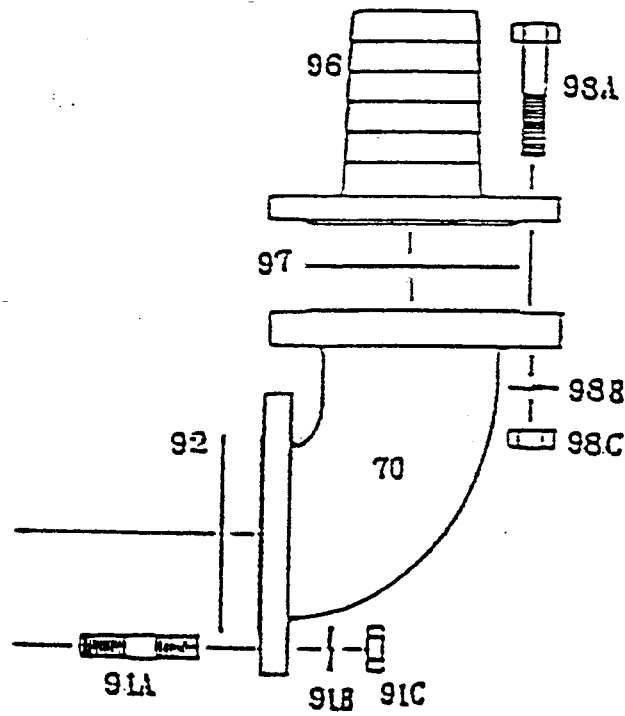
DRAWING NO.
A5632

REV.
0

DP20 / DP20B SERIES SUBMERSIBLE PUMP



DP20 / DP20B SERIES SUBMERSIBLE PUMP



TOYO
PUMPS

TOYO PUMPS
NORTH AMERICA CORPORATION

EXPLODED VIEW
BEND DETAIL

DRAWING NO.
A5634

REV.
0



TOYO PUMPS NORTH AMERICA CORPORATION

2853 Douglas Road
Burnaby, BC V5C 6H2

Tel: (604) 298-1213 Fax: (604) 298-1224

** CRITICAL SPARES
* RECOMMENDED SPARES
KIT ITEMS ARE INCLUDED IN O-RING KIT
CA ITEMS ARE INCLUDED IN CABLE ASSEMBLY

PARTS LIST - DP20 & DP20B

Ref. Dwg. No. A5631 Rev.0 to A5634 Rev.0 and A6230 Rev.0

TPSD-005 Rev.0

Please use the part number when ordering.

Effective: October 11, 2002

	REF #	PART #	DESCRIPTION	QTY
		013 200 12 10831	Cabtyre cable assembly (20m length)	1
	1A	040 405 00 01581	Stud bolt	4
	1B	040 432 00 01389	Lock washer	4
	1C	040 427 00 02014	Dome nut	4
	** 2	062 162 00 02800	O-ring	1
CA	3	15-H192-3	Packing gland	1
CA	** 4	CR-6008	Rubber packing	3
CA	* 5	CS-5008	Packing set ring	1
CA	* 6	CP-6008	Cable protection tube	1
CA	7	013 200 00 08614	Cabtyre cable (std. 20m length)	1m
CA	8	15-H142-3	Lead cover	1
	16	20-141-3	Upper cover bearing	1
	18	15-683	Distance plate	1
KIT	** 19	062 162 00 02804	O-ring	2
KIT	** 20	062 162 00 02623	O-ring	2
	21	040 415 00 01746	Hex head screw	16
	22	15-549	Grease inlet cover	2
	* 23	070 200 00 00631	Deep groove ball bearing	1
	24	20-768A	Seal ring A	1
	** 25	S-875	Lip seal	2
	26	20-158	Bearing housing	1
	27A	20-06PA	Grease inlet pipe A	1
	27B	SK-06P	Socket	1
	27C	GN-06P	Grease nipple	1
	28	20-532-3	Motor case	1
	29	20-713-1	Shaft	1
	30	20-923-1	Rotor & shaft assembly	1
	31	20-922-H	Stator & motor case assembly-460V (pumps mfg before 1974)	1
	31	20-922-1H	Stator & motor case assembly-460V (pumps mfg after 1974, s/n 17999 & higher)	1
	31	20-922-I	Stator & motor case assembly-575V (pumps mfg before 1974)	1
	31	20-922-1I	Stator & motor case assembly-575V (pumps mfg after 1974, s/n 17999 & higher)	1
	32A	BM-16540	Body clasp bolt	6
	32B	040 432 00 01389	Lock washer	12
	32C	040 427 00 02014	Dome nut	12
	32D	040 405 00 01694	Hex head screw	4
	33	15-768B	Seal ring B	1
	34	15-248-3	Bearing cover	1
	35A	040 405 00 01675	Hex head screw	18
	35B	040 432 00 01392	Lock washer	18
	35C	040 405 00 03170	Hex head screw	2
	36A	20-06PB	Grease inlet pipe B	1
	36B	SK-06P	Socket	1
	36C	GN-06P	Grease nipple	1



TOYO PUMPS NORTH AMERICA CORPORATION

2853 Douglas Road
Burnaby, BC V5C 6H2

Tel: (604) 298-1213 Fax: (604) 298-1224

** CRITICAL SPARES
* RECOMMENDED SPARES
KIT ITEMS ARE INCLUDED IN O-RING KIT
CA ITEMS ARE INCLUDED IN CABLE ASSEMBLY

PARTS LIST - DP20 & DP20B

Ref. Dwg. No. A5631 Rev.0 to A5634 Rev.0 and A6230 Rev.0

TPSD-005 Rev.0

Please use the part number when ordering.

Effective: October 11, 2002

	REF #	PART #	DESCRIPTION	QTY	
	37	20-242-3	Under cover (DP20)	1	
	37	20B-242-3	Under cover (DP20B)	1	
*	38	070 200 00 00634	Deep groove ball bearing	1	
*	39	076 200 00 00697	Thrust ball bearing	1	
KIT	**	40	O-ring	1	
	**	41	Lip seal A	1	
		42	Space ring	1	
	**	43	Lip seal A	1	
	**	44	Shaft sleeve A	1	
		45	Bearing lock plate	1	
		46	Stop ring B	1	
*	47	070 200 00 00631	Deep groove ball bearing	1	
		48	Bearing lock plate B	1	
	**	49	Lip seal B	3	
*	50	15-569	Space ring B	4	
	**	51	Shaft sleeve B	1	
	**	52	Lip seal B	2	
KIT	**	53	O-ring	1	
	*	54	Distance sleeve	1	
	*	55	Key	1	
	*	56	20-300-3	Vortex casing (DP20)	1
	*	56	15B-300-3	Vortex casing (DP20B)	1
KIT	**	57	O-ring	1	
		58	Lip seal housing A	1	
		60	Oil chamber cover	1	
		61	Lip seal housing B	1	
KIT	**	62	O-ring	1	
KIT	**	63	O-ring	1	
		64A	Hex head screw	6	
		64B	Lock washer	6	
		64C	Hex head screw	2	
KIT	**	65	O-ring	2	
		66	Oil inlet cover	2	
		67A	Stud bolt	4	
		67B	Lock washer	4	
		67C	Dome nut	4	
		67D	Hex head screw	2	
	**	68	O-ring (DP20)	1	
	**	68	O-ring (DP20B)	1	
		69A	Stud bolt	16	
		69B	Lock washer	16	
		69C	Dome nut	16	
	*	69D	Hex head screw	4	
		70	Bend (DP20)	1	
		70	15B-309-3	Bend (DP20B)	1
*	71	20-442-3	Delivery cover (DP20)	1	
*	71	15-442-3	Delivery cover (DP20B)	1	
*	72	20-406	Impeller (DP20, 60hz)	1	



TOYO PUMPS NORTH AMERICA CORPORATION

2853 Douglas Road
Burnaby, BC V5C 6H2

Tel: (604) 298-1213 Fax: (604) 298-1224

** CRITICAL SPARES
* RECOMMENDED SPARES
KIT ITEMS ARE INCLUDED IN O-RING KIT
CA ITEMS ARE INCLUDED IN CABLE ASSEMBLY

PARTS LIST - DP20 & DP20B

Ref. Dwg. No. A5631 Rev.0 to A5634 Rev.0 and A6230 Rev.0

TPSD-005 Rev.0

Please use the part number when ordering.

Effective: October 11, 2002

		REF #	PART #	DESCRIPTION	QTY
	*	72	20B-406	Impeller (DP20B, 60hz)	1
	*	72	20-405	Impeller (DP20 50hz)	1
	*	72	20B-405	Impeller (DP20B, 50hz)	1
	**	73	20-403-3	Impeller disc (DP20)	1
	**	73	15B-403-3	Impeller disc (DP20B)	1
	*	74	20-340-3	Suction cover (DP20)	1
	*	74	15B-340-3	Suction cover (DP20B)	1
		75	20-583	Strainer plate (DP20)	1
		75	15B-583	Strainer plate (DP20B)	1
		76A	040 405 00 01892	Stud bolt (DP20)	4
		76A	040 405 00 01877	Stud bolt (DP20B)	4
		76B	040 432 00 01389	Lock washer (DP20)	4
		76B	040 432 00 02046	Lock washer (DP20B)	4
		76C	040 427 00 02014	Dome nut (DP20)	4
		76C	040 427 00 02013	Dome nut (DP20B)	4
	**	77	062 162 00 02787	O-ring (DP20)	1
	**	77	062 162 00 02806	O-ring (DP20B)	1
		78A	FM-1032	Flat head screw	6
		78B	040 432 00 01392	Lock washer	6
		78C	040 428 00 01391	Nut	6
		79A	040 405 00 01686	Hex head screw	4
		79B	040 432 00 02046	Lock washer	4
		80	20-503	Strainer (DP20)	1
		80	15B-503	Strainer (DP20B)	1
	**	81	207 011 12 03544	Agitator	1
	*	82	204 072 12 03545	Impeller collar	1
	*	83	206 050 00 05968	Impeller nut	2
		85	040 412 00 01618	Hex head screw (DP20)	4
		85	040 415 00 01752	Hex head screw (DP20B)	4
		89	040 072 00 02053	Eye bolt	2
		90	20-968	Stop ring A	1
		91A	040 412 00 01834	Stud bolt (DP20)	8
		91A	040 412 00 01845	Stud bolt (DP20B)	8
		91B	040 416 00 02032	Lock washer (DP20)	8
		91B	040 417 00 02042	Lock washer (DP20B)	8
		91C	040 412 00 01787	Nut (DP20)	8
		91C	040 412 00 01788	Dome nut (DP20B)	8
	*	92	060 164 00 03205	Plate packing (DP20)	1
	*	92	060 164 00 03207	Plate packing (DP20B)	1
		94	PT-0806	Press terminal	7
		95A	040 440 00 01772	Hex head screw	1
		95B	040 440 00 01431	Washer	1
		96	15-109	Hose nipple (DP20)	1
		96	15B-109	Hose nipple (DP20B)	1
	*	97	060 164 00 03206	Plate packing (DP20)	1
	*	97	060 164 00 03208	Plate packing (DP20B)	1
		98A	040 405 00 01583	Hex head screw (DP20)	8
		98A	040 405 00 01708	Hex head screw (DP20B)	8
		98B	040 432 00 01389	Lock washer (DP20)	8
		98B	040 432 00 01395	Lock washer (DP20B)	8
		98C	040 428 00 01388	Nut (DP20)	8



TOYO PUMPS NORTH AMERICA CORPORATION

2853 Douglas Road
Burnaby, BC V5C 6H2

Tel: (604) 298-1213 Fax: (604) 298-1224

** CRITICAL SPARES
* RECOMMENDED SPARES
KIT ITEMS ARE INCLUDED IN O-RING KIT
CA ITEMS ARE INCLUDED IN CABLE ASSEMBLY

PARTS LIST - DP20 & DP20B

Ref. Dwg. No. A5631 Rev.0 to A5634 Rev.0 and A6230 Rev.0

TPSD-005 Rev.0

Please use the part number when ordering.

Effective: October 11, 2002

	REF #	PART #	DESCRIPTION	QTY
	98C	040 428 00 01394	Nut (DP20B)	8
	100A	040 440 00 01771	Hex head screw	3
	100B	040 440 00 01431	Washer	3
	100C	040 428 00 01777	Nut	3
	106A	040 405 00 01877	Stud bolt	2
	106B	040 432 00 02046	Lock washer	2
	106C	040 427 00 02013	Dome nut	2
	106D	040 405 00 01683	Adjust bolt	2
	107	040 072 00 02051	Eye bolt	1
	** KIT	952 200 12 10802	O-Ring kit	1
		821 057 12 01553	Water jacket	1