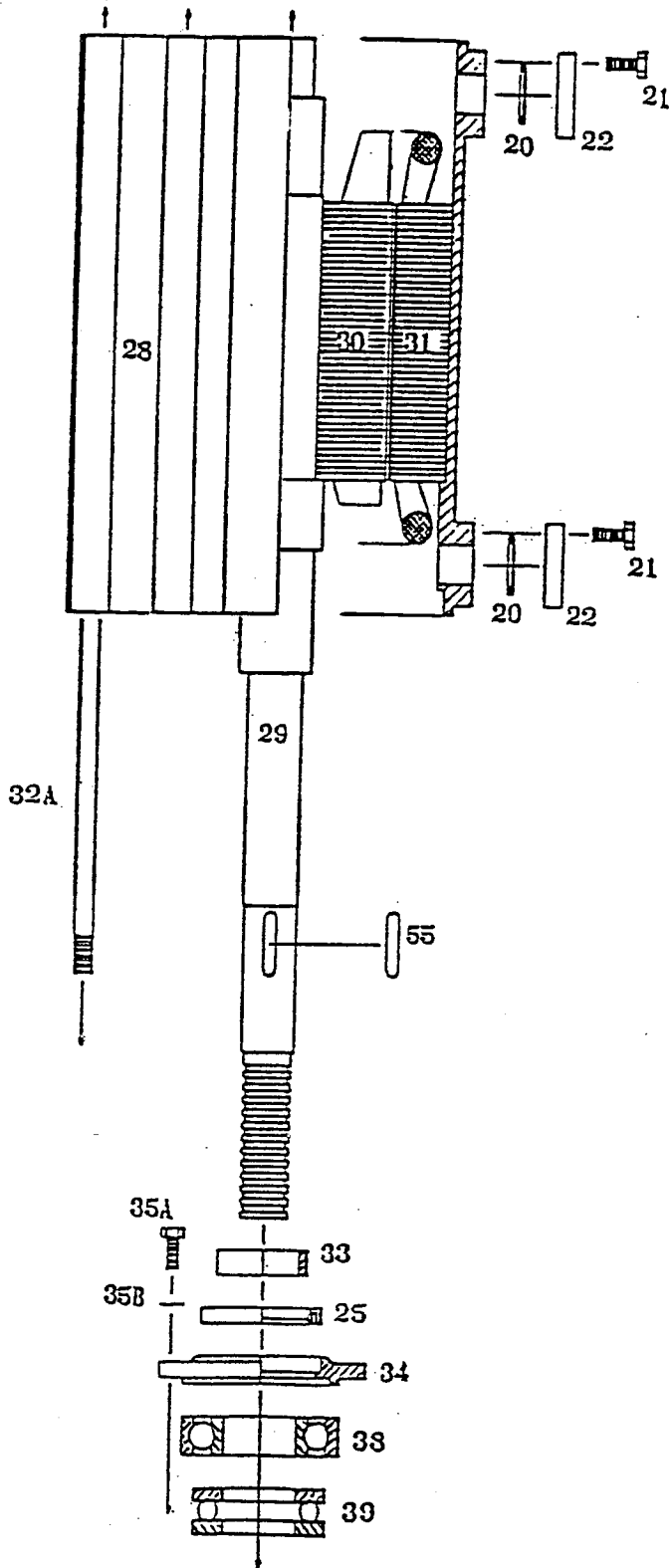
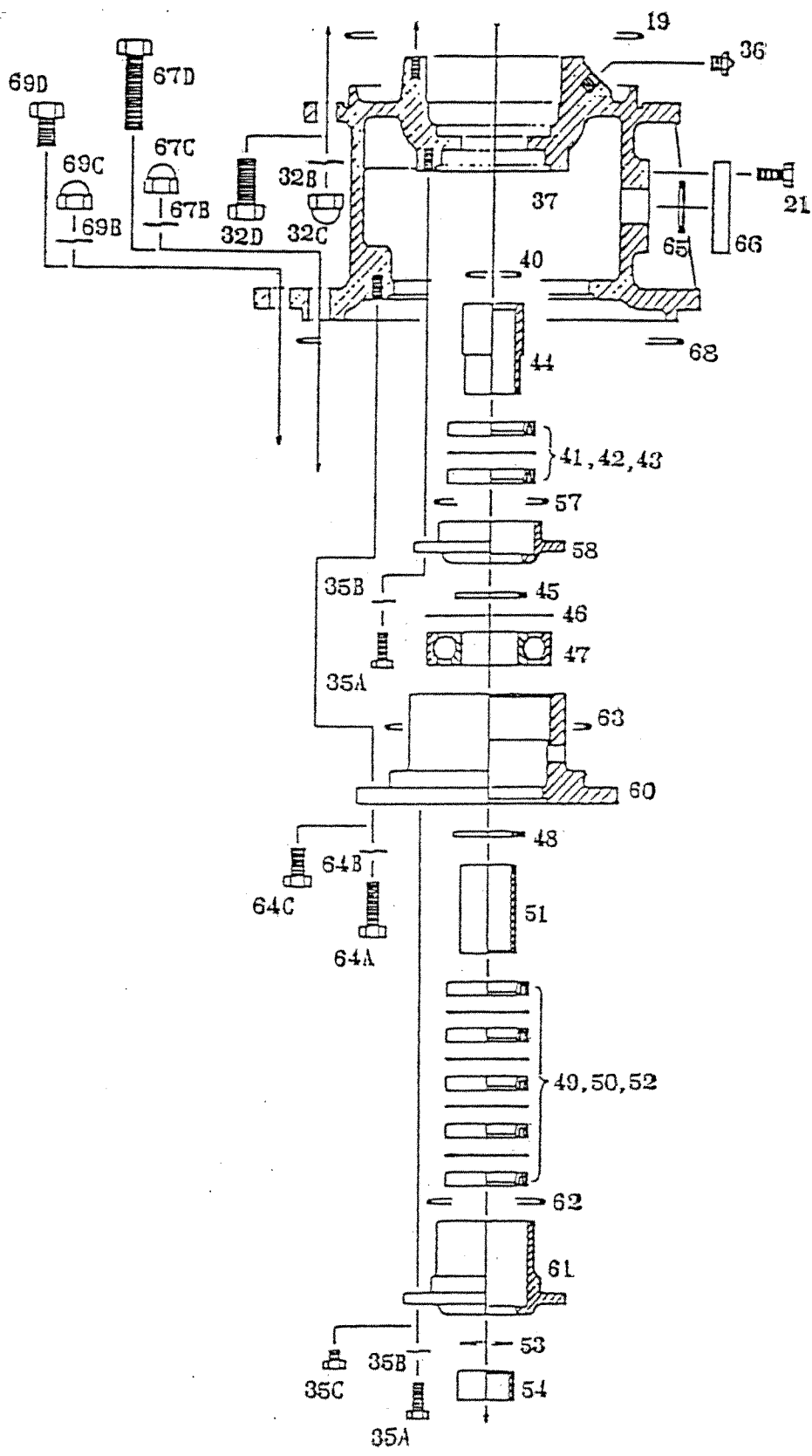


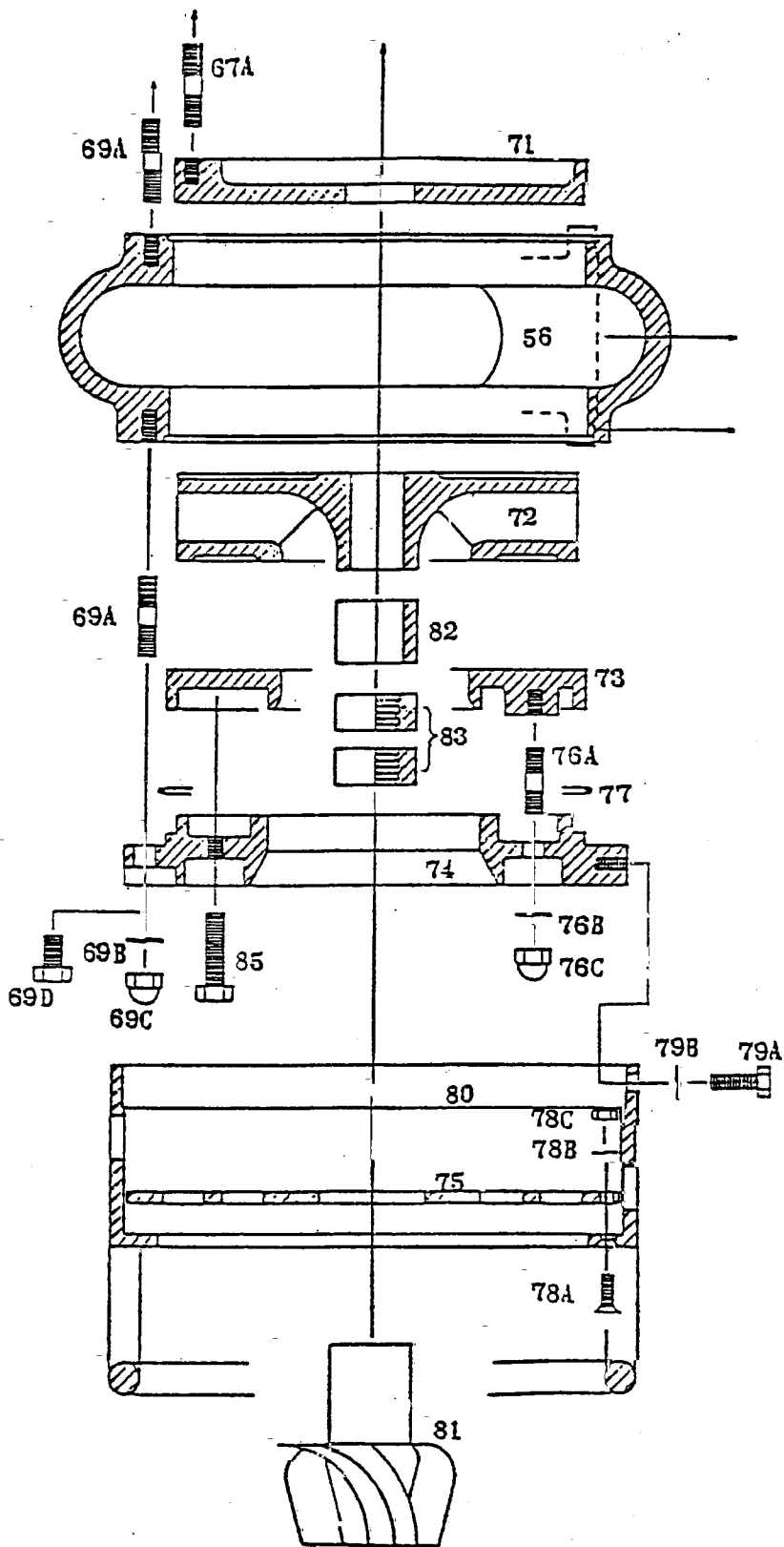
DP15 / DP15B SERIES SUBMERSIBLE PUMP



DP15 / DP15B SERIES SUBMERSIBLE PUMP



DP15 / DP15B SERIES SUBMERSIBLE PUMP



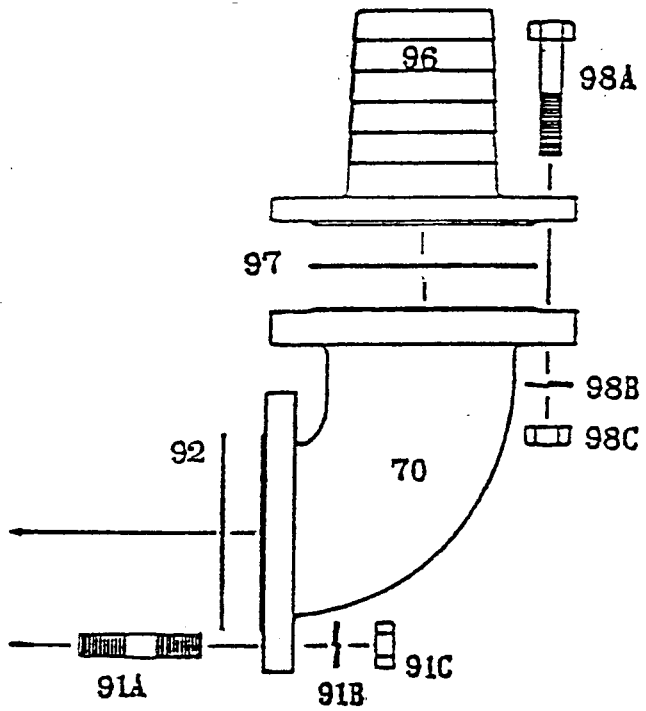
TOYO PUMPS
NORTH AMERICA CORPORATION

EXPLODED VIEW
WET END

DRAWING NO.
A5626

REV.
0

DP15 / DP15B SERIES SUBMERSIBLE PUMP



TOYO
PUMPS

TOYO PUMPS
NORTH AMERICA CORPORATION

EXPLODED VIEW
BEND DETAIL

DRAWING NO.
A5627

REV.
0



TOYO PUMPS NORTH AMERICA CORPORATION

2853 Douglas Road
Burnaby, BC V5C 6H2

Tel: (604) 298-1213 Fax: (604) 298-1224

** CRITICAL SPARES
* RECOMMENDED SPARES
KIT ITEMS ARE INCLUDED IN O-RING KIT
CA ITEMS ARE INCLUDED IN CABLE ASSEMBLY

PARTS LIST - DP15 & DP15B

Ref. D\ Ref. Dwg. No. A5624 Rev.0 to A5627 Rev.0 and A6231 Rev.0

TPSD-002 Rev.0

Please Please use the part number when ordering.

Effective: October 11, 2002

| | REF # | PART # | DESCRIPTION | QTY |
|-----|-------|------------------|-------------------------------------|-----|
| | | 013 200 12 10830 | Cabtyre cable assembly (20m length) | 1 |
| | 1A | 040 405 00 01581 | Stud bolt | 4 |
| | 1B | 040 432 00 01389 | Lock washer | 4 |
| | 1C | 040 427 00 02014 | Dome nut | 4 |
| | ** 2 | 062 162 00 02800 | O-ring | 1 |
| CA | 3 | 15-H192-3 | Packing gland | 1 |
| CA | ** 4 | CR-6008 | O-ring | 3 |
| CA | * 5 | CS-5008 | Packing set ring | 1 |
| CA | * 6 | CP-6008 | Cable protection tube | 1 |
| CA | 7 | 013 200 00 08614 | Cabtyre cable (std. 20m length) | 1m |
| CA | 8 | 15-H142-3 | Lead cover | 1 |
| | 16 | 15-141-3 | Upper cover | 1 |
| | 18 | 15-683 | Distance plate | 1 |
| KIT | ** 19 | 062 162 00 02802 | O-ring | 2 |
| KIT | ** 20 | 062 162 00 02623 | O-ring | 2 |
| | 21 | 040 415 00 01746 | Hex head screw | 16 |
| | 22 | 15-549 | Grease inlet cover | 2 |
| | * 23 | 070 200 00 00620 | Deep groove ball bearing | 1 |
| | 24 | 250 063 12 03495 | Seal ring A | 1 |
| | ** 25 | S-875 | Lip seal | 1 |
| | 26 | 15-158 | Bearing housing | 1 |
| | 27A | 15-06PA | Grease inlet pipe A | 1 |
| | 27B | SK-06P | Socket | 1 |
| | 27C | GN-06P | Grease nipple | 1 |
| | 28 | 15-532-3 | Motor case | 1 |
| | 29 | 15-713-1 | Shaft | 1 |
| | 30 | 15-923-1 | Rotor & shaft assembly | 1 |
| | 31 | 15-922-1H | Stator & motor case assembly (460V) | 1 |
| | 31 | 15-922-1I | Stator & motor case assembly (575V) | 1 |
| | 32A | BM-16525 | Body clasp bolt | 6 |
| | 32B | 040 432 00 01389 | Lock washer | 12 |
| | 32C | 040 427 00 02014 | Dome nut | 12 |
| | 32D | 040 405 00 01694 | Hex head screw | 4 |
| | 33 | 15-768B | Seal ring B | 1 |
| | 34 | 15-248-3 | Bearing cover | 1 |
| | 35A | 040 405 00 01675 | Hex head screw | 18 |
| | 35B | 040 432 00 01392 | Lock washer | 18 |
| | 35C | 040 405 00 03170 | Hex head screw | 2 |
| | 36 | GN-06P | Grease nipple | 1 |
| | 37 | 15-242-3 | Under cover | 1 |
| | * 38 | 070 200 00 00634 | Deep groove ball bearing | 1 |
| | * 39 | 076 200 00 00697 | Thrust ball bearing | 1 |
| KIT | ** 40 | 062 162 00 02547 | O-ring | 1 |
| | ** 41 | 061 161 00 02679 | Lip seal | 1 |
| | 42 | 15-568 | Space ring B | 1 |
| | ** 43 | 061 128 00 02540 | Lip seal | 1 |
| | ** 44 | 15-778A | Shaft sleeve A | 1 |
| | 45 | 15-788A | Bearing lock plate A | 1 |



TOYO PUMPS NORTH AMERICA CORPORATION

2853 Douglas Road
Burnaby, BC V5C 6H2

Tel: (604) 298-1213 Fax: (604) 298-1224

** CRITICAL SPARES
* RECOMMENDED SPARES
KIT ITEMS ARE INCLUDED IN O-RING KIT
CA ITEMS ARE INCLUDED IN CABLE ASSEMBLY

PARTS LIST - DP15 & DP15B

Ref. D\ Ref. Dwg. No. A5624 Rev.0 to A5627 Rev.0 and A6231 Rev.0

TPSD-002 Rev.0

Please Please use the part number when ordering.

Effective: October 11, 2002

| | | REF # | PART # | DESCRIPTION | QTY |
|-----|----|-------|------------------|--------------------------|-----|
| | | 46 | 15-968B | Stop ring B | 1 |
| | ** | 47 | 070 200 00 00631 | Deep groove ball bearing | 1 |
| | | 48 | 15-788B | Bearing lock plate B | 1 |
| | ** | 49 | 061 161 00 02651 | Lip seal | 3 |
| | ** | 50 | 15-569 | Space ring B | 4 |
| | ** | 51 | 15-778B | Shaft sleeve B | 1 |
| | ** | 52 | 061 128 00 02393 | Rareflon seal | 2 |
| | ** | 53 | 062 162 00 02547 | O-ring | 1 |
| | ** | 54 | 15-771 | Distance sleeve | 1 |
| | * | 55 | 020 052 12 03523 | Key | 1 |
| | * | 56 | 15-300-3 | Vortex casing (DP15) | 1 |
| | * | 56 | 15B-300-3 | Vortex casing (DP15B) | 1 |
| KIT | ** | 57 | 062 162 00 02796 | O-ring | 1 |
| | | 58 | 15-258A-3 | Oil seal housing A | 1 |
| | | 60 | 15-244-3 | Oil chamber cover | 1 |
| | | 61 | 15-258B-3 | Oil seal housing B | 1 |
| KIT | ** | 62 | 062 162 00 02797 | O-ring | 1 |
| KIT | ** | 63 | 062 162 00 02801 | O-ring | 1 |
| | | 64A | 040 405 00 01686 | Hex head screw | 6 |
| | | 64B | 040 432 00 02046 | Lock washer | 6 |
| | | 64C | 040 405 00 01683 | Hex head screw | 2 |
| KIT | ** | 65 | 062 162 00 02623 | O-ring | 2 |
| | | 66 | 15-542 | Oil inlet cover | 2 |
| | | 67A | 040 405 00 01892 | Stud bolt | 4 |
| | | 67B | 040 432 00 01389 | Lock washer | 4 |
| | | 67C | 040 427 00 02014 | Dome nut | 4 |
| | | 67D | 040 405 00 01582 | Hex head screw | 2 |
| KIT | ** | 68 | 062 162 00 02806 | O-ring | 1 |
| | * | 69A | 040 405 00 01892 | Stud bolt | 16 |
| | * | 69B | 040 432 00 01389 | Hex head screw | 16 |
| | * | 69C | 040 427 00 02014 | Dome nut | 16 |
| | * | 69D | 040 405 00 01691 | Hex head screw | 4 |
| | | 70 | 15-309-3 | Bend (DP15) | 1 |
| | | 70 | 15B-309-3 | Bend (DP15B) | 1 |
| | * | 71 | 15-442-3 | Delivery cover | 1 |
| | ** | 72 | 15-406 | Impeller (DP15, 60Hz) | 1 |
| | ** | 72 | 15B-406 | Impeller (DP15B, 60 Hz) | 1 |
| | ** | 73 | 15-403-3 | Impeller disc (DP15) | 1 |
| | ** | 73 | 15B-403-3 | Impeller disc (DP15B) | 1 |
| | | 74 | 15-340-3 | Suction cover (DP15) | 1 |
| | | 74 | 15B-340-3 | Suction cover (DP15B) | 1 |
| | | 75 | 15-583 | Strainer plate (DP15) | 1 |
| | | 75 | 15B-583 | Strainer plate (DP15B) | 1 |
| | * | 76A | 040 405 00 01890 | Stud bolt (DP15) | 4 |
| | * | 76A | 040 405 00 01877 | Stud bolt (DP15B) | 4 |
| | * | 76B | 040 432 00 01389 | Lock washer (DP15) | 4 |
| | * | 76B | 040 432 00 02046 | Lock washer (DP15B) | 4 |
| | * | 76C | 040 427 00 02014 | Dome nut (DP15) | 4 |
| | * | 76C | 040 427 00 02013 | Dome nut (DP15B) | 4 |



TOYO PUMPS NORTH AMERICA CORPORATION

2853 Douglas Road
Burnaby, BC V5C 6H2

Tel: (604) 298-1213 Fax: (604) 298-1224

** CRITICAL SPARES
* RECOMMENDED SPARES

KIT ITEMS ARE INCLUDED IN O-RING KIT
CA ITEMS ARE INCLUDED IN CABLE ASSEMBLY

PARTS LIST - DP15 & DP15B

Ref. D\ Ref. Dwg. No. A5624 Rev.0 to A5627 Rev.0 and A6231 Rev.0

TPSD-002 Rev.0

Please Please use the part number when ordering.

Effective: October 11, 2002

| | REF # | PART # | DESCRIPTION | QTY |
|----|-------|------------------|------------------------|-----|
| * | 77 | 062 162 00 02806 | O-ring | 1 |
| | 78A | 040 407 00 01991 | Flat head bolt | 6 |
| | 78B | 040 432 00 01392 | Lock washer | 6 |
| | 78C | 040 428 00 01391 | Nut | 6 |
| | 79A | 040 405 00 01686 | Hex head screw | 4 |
| | 79B | 040 432 00 02046 | Lock washer | 4 |
| | 80 | 15-503 | Strainer (DP15) | 1 |
| | 80 | 15B-503 | Strainer (DP15B) | 1 |
| ** | 81 | 207 011 12 03544 | Pump agitator | 1 |
| ** | 82 | 204 072 12 03545 | Impeller collar | 1 |
| ** | 83 | 206 050 00 05968 | Impeller nut | 1 |
| * | 85 | 040 415 00 01758 | Hex head screw (DP15) | 4 |
| * | 85 | 040 415 00 01752 | Hex head screw (DP15B) | 4 |
| * | 86 | 061 161 00 02679 | Lip seal | 1 |
| | 89 | 040 072 00 02053 | Eye bolt | 2 |
| | 90 | 15-968A | Stop ring A | 1 |
| | 91A | 040 412 00 01834 | Stud bolt (DP15) | 8 |
| | 91B | 040 416 00 02032 | Lock washer (DP15) | 8 |
| | 91C | 040 412 00 01787 | Nut (DP15) | 8 |
| | 91A | 040 412 00 01845 | Stud bolt (DP15B3) | 8 |
| | 91B | 040 417 00 02042 | Lock washer (DP15B) | 8 |
| | 91C | 040 412 00 01788 | Nut (DP15B) | 8 |
| | 92 | 060 164 00 03205 | Plate packing (DP15) | 1 |
| | 92 | 060 164 00 03207 | Plate packing (DP15B) | 1 |
| | 94 | PT-0806 | Press terminal | 7 |
| | 95A | 040 440 00 01772 | Hex head screw | 1 |
| | 95B | 040 440 00 01431 | Washer | 1 |
| | 96 | 15-109 | Hose nipple (DP15) | 1 |
| | 96 | 15B-109 | Hose nipple (DP15B) | 1 |
| | 97 | 060 164 00 03206 | Plate packing (DP15) | 1 |
| | 97 | 060 164 00 03208 | Plate packing (DP15B) | 1 |
| | 98A | 040 405 00 01583 | Hex head screw (DP15) | 8 |
| | 98B | 040 432 00 01389 | Lock washer (DP15) | 8 |
| | 98C | 040 428 00 01388 | Nut (DP15) | 8 |
| | 98A | 040 405 00 01708 | Hex head screw (DP15B) | 8 |
| | 98B | 040 432 00 01395 | Lock washer (DP15B) | 8 |
| | 98C | 040 428 00 01394 | Nut (DP15B) | 8 |
| | 100A | 040 440 00 01771 | Hex head screw | 3 |
| | 100B | 040 440 00 01431 | Washer | 3 |
| | 100C | 040 440 00 01803 | Stud bolt | 3 |
| | 106A | 040 405 00 01877 | Stud bolt | 4 |
| | 106B | 040 432 00 02046 | Lock washer | 4 |
| | 106C | 040 427 00 02013 | Dome nut | 4 |
| | 106D | 040 405 00 01683 | Hex head screw | 2 |
| | 107 | 040 072 00 02051 | Eye bolt | 1 |
| ** | KIT | 952 200 12 10801 | O-ring kit | 1 |
| | | WJ-15 | Water jacket | 1 |