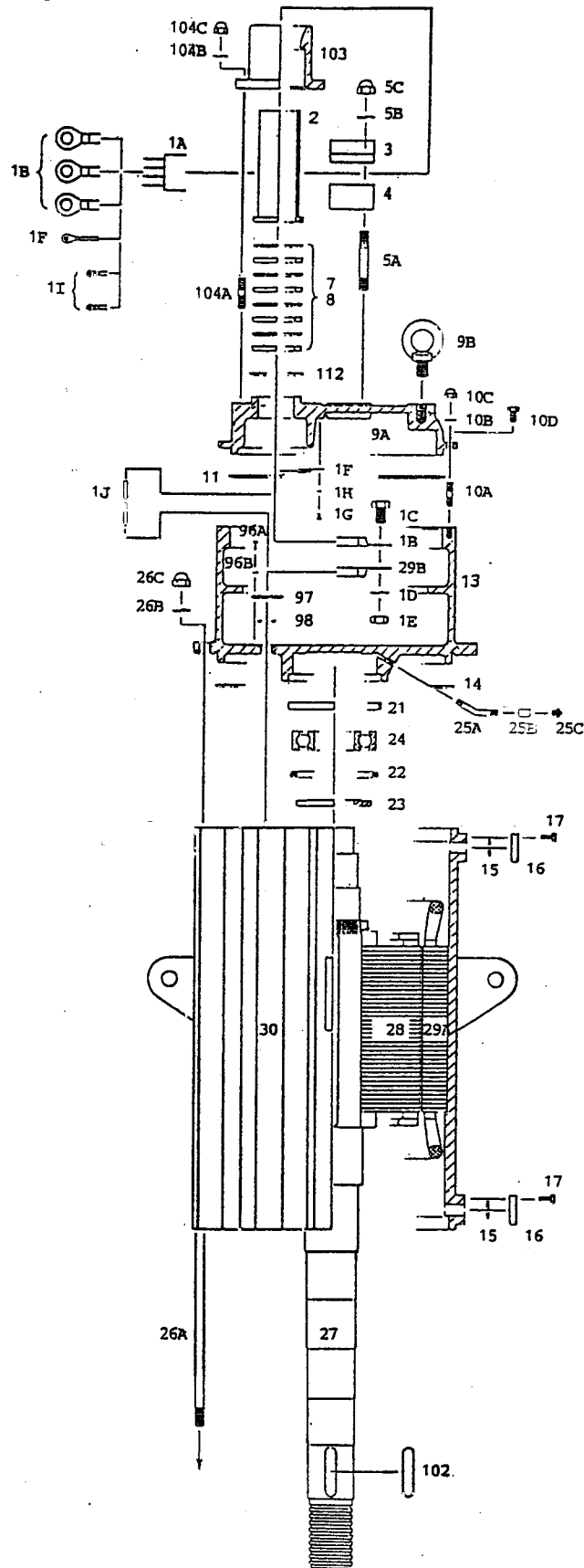


# DP150B SERIES SUBMERSIBLE PUMP



**TOYO**  
PUMPS

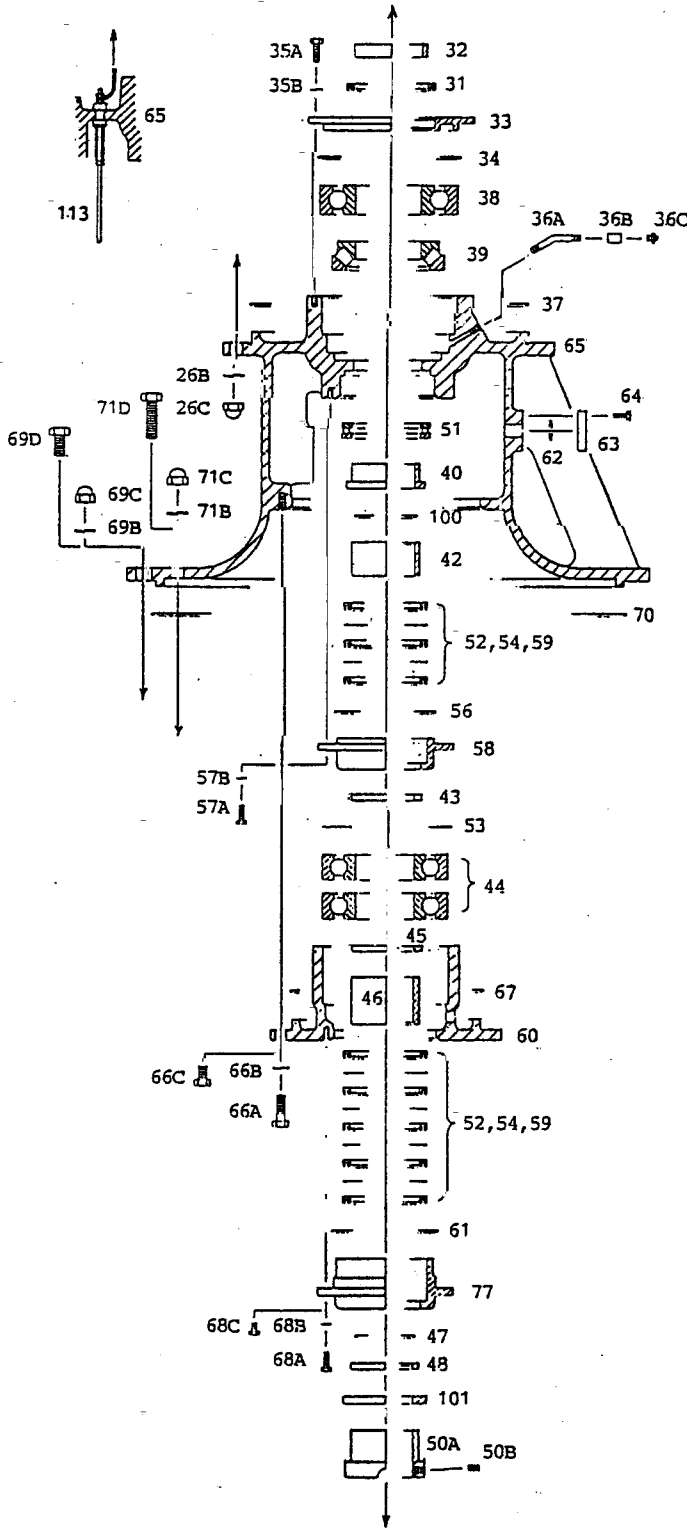
TOYO PUMPS  
NORTH AMERICA CORPORATION

EXPLODED VIEW  
MOTOR HSG. & CABLE ASSY.

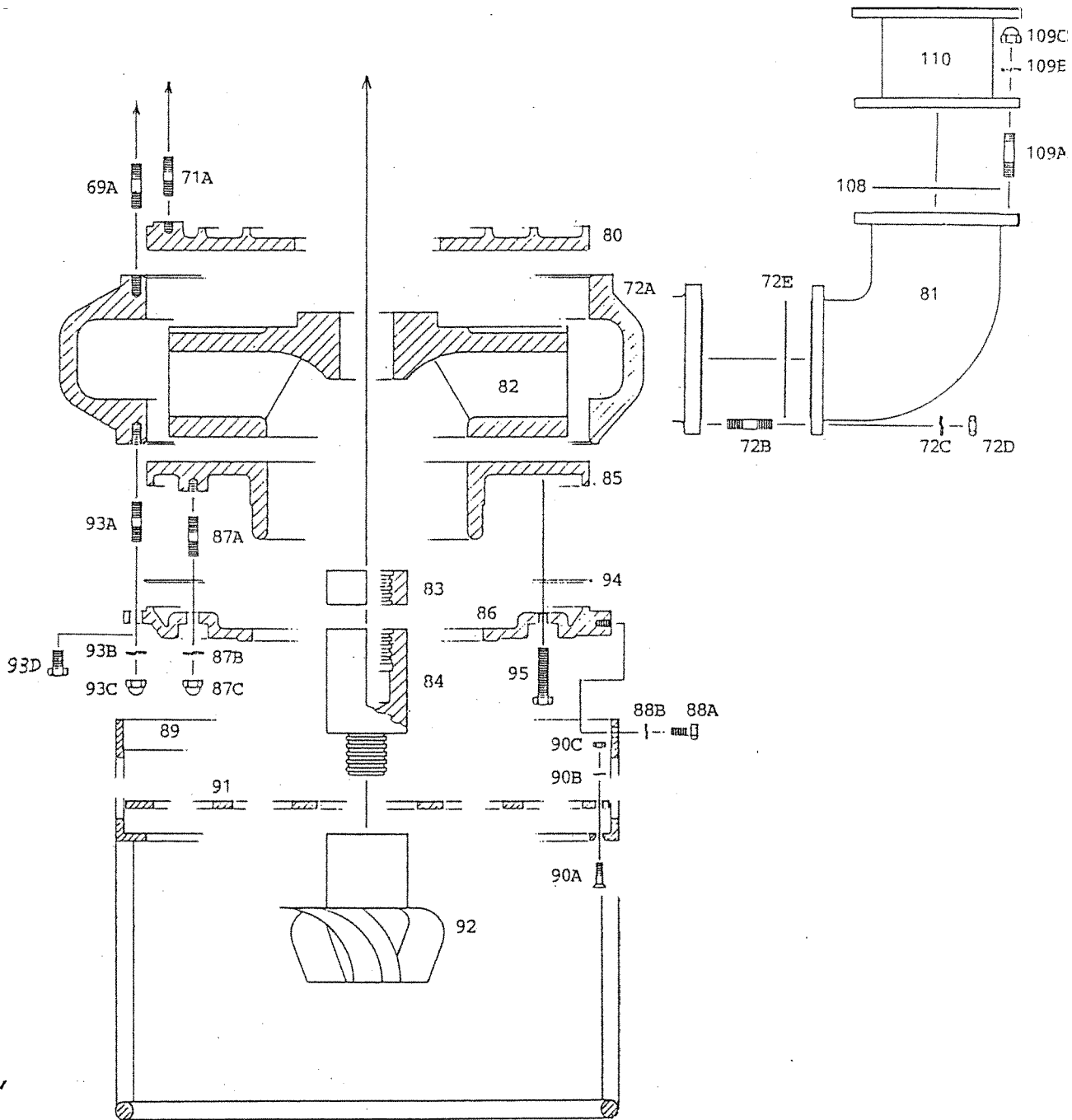
DRAWING NO.  
A5658

REV.  
0

# DP150B SERIES SUBMERSIBLE PUMP



# DP150B SERIES SUBMERSIBLE PUMP



TOYO PUMPS  
NORTH AMERICA CORPORATION

EXPLODED VIEW  
WET END

DRAWING NO.  
A5660

REV.  
0



# TOYO PUMPS NORTH AMERICA CORPORATION

2853 Douglas Road  
Burnaby, BC V5C 6H2

Tel: (604) 298-1213 Fax: (604) 298-1224

\*\* CRITICAL SPARES  
\* RECOMMENDED SPARES  
KIT ITEMS ARE INCLUDED IN O-RING KIT  
CA ITEMS ARE INCLUDED IN CABLE ASSEMBLY

## PARTS LIST - DP150B-3D1

Ref. Dwg. No. A5658 Rev.0 to A5660 Rev.0

TPSD-002 Rev.0

Please use the part number when ordering.

Effective: October 11, 2002

		REF #	PART #	DESCRIPTION	QTY
			013 200 12 10842	Cable assembly (with moisture sensor) 20m length	1
CA		1A	013 200 00 04524	Cabtyre cable (std. 20m lenth)	1m
		1B	PT-10010	Press terminal	6
		1C	040 440 00 01663	Set bolt	3
		1D	040 440 00 01433	Washer	3
		1E	040 440 00 01805	Nut	3
		1F	PT-1406	Press terminal	2
		1G	040 440 00 01771	Set bolt	1
		1H	040 440 00 01431	Washer	1
		1I	PT-0206	Press terminal	3
		1J	PT-B02	Sleeve terminal	2
CA	*	2	CP-6100	Cable protection tube	1
CA		3	150-H199U	Cable lock (upper)	1
CA		4	150-H199D	Cable lock (under)	1
CA		5A	SM-20130	Stud bolt	4
CA		5B	040 432 00 01395	Spring washer	4
CA		5C	040 427 00 02016	Cap nut	4
CA		7	CS-5100	Packing set ring	7
CA	**	8	CR-6100	Rubber packing	6
CA		9A	150-H142-3	Lead cover	1
		9B	040 072 00 02054	Eye bolt	1
		10A	040 405 00 01877	Stud bolt	12
		10B	040 432 00 02046	Spring washer	12
		10C	040 427 00 02013	Cap nut	12
		10D	040 405 00 01683	Adjust bolt	2
	**	11	062 162 00 02506	Packing	1
		13	150-141-3	Upper cover	1
KIT	**	14	062 162 00 02618	Packing	1
KIT	**	15	062 162 00 02623	Packing	2
		16	15-549	Grease inlet cover	2
		17	040 415 00 01746	Set bolt	8
	*	21	150-776	Seal ring	1
	**	22	SO-8170	Oil seal	1
		23	150-786	Oil seal disc	1
	**	24	070 200 00 00649	R. bearing	1
		25A	150-06PA	Grease inlet pipe A	1
		25B	SK-06P	Socket	1
		25C	GN-06P	Grease nipple	1
		26A	BM-201020	Body clasp bolt	12
		26B	040 432 00 01395	Spring washer	24
		26C	040 427 00 02016	Cap nut	24
		27	150-713	Shaft	1
		28	150-923	Rotor & shaft assembly	1
		29A	150-922-H	Stator & motor case assembly (460V)	1
		29A	150-922-I	Stator & motor case assembly (575V)	1
		29B	PT-10010	Press terminal	3
		30	150-532-3	Motor case	1
	**	31	061 161 00 02677	Oil seal	1



# TOYO PUMPS NORTH AMERICA CORPORATION

2853 Douglas Road  
Burnaby, BC V5C 6H2

Tel: (604) 298-1213 Fax: (604) 298-1224

\*\* CRITICAL SPARES  
\* RECOMMENDED SPARES  
KIT ITEMS ARE INCLUDED IN O-RING KIT  
CA ITEMS ARE INCLUDED IN CABLE ASSEMBLY

## PARTS LIST - DP150B-3D1

Ref. Dwg. No. A5658 Rev.0 to A5660 Rev.0

TPSD-002 Rev.0

Please use the part number when ordering.

Effective: October 11, 2002

		REF #	PART #	DESCRIPTION	QTY
	**	32	150-768	Seal ring	1
		33	150-248-3	Seal box	1
KIT	**	34	062 162 00 02833	Packing	1
		35A	040 405 00 01686	Set bolt	8
		35B	040 432 00 02046	Spring washer	8
		36A	150-06PB	Grease inlet pipe B	1
		36B	SK-06P	Socket	1
		36C	GN-06P	Grease nipple	1
KIT	**	37	062 162 00 02618	Packing	1
	**	38	070 200 00 00654	R. bearing	1
	**	39	077 200 00 01896	Cone roller bearing	1
		40	150-777	Bearing sleeve	1
	**	42	250 050 12 03640	Shaft sleeve A	1
		43	150-788A	Bearing lock plate A	1
	**	44	070 200 00 00652	R. bearing	2
		45	150-788B	Bearing lock plate B	1
	**	46	250 050 12 03643	Shaft sleeve B	1
KIT	**	47	062 162 00 02508	O-ring	1
	**	48	150-771	Distance sleeve	1
	**	50A	150-774	Collar	1
		50B	PMH-1020S	Set screw	4
	**	51	076 200 00 00704	T. bearing	1
	**	52	061 161 00 02676	Oil seal	5
		53	150-968	Stop ring	1
	**	54	061 128 00 02852	Rareflon seal	3
KIT	**	56	062 162 00 02823	Packing	1
		57A	040 405 00 01678	Set bolt	8
		57B	040 432 00 01392	Spring washer	8
		58	150-258A-3	Oil seal housing	1
		59	150-568	Space ring	6
		60	150-244-3	Oil chamber cover	1
KIT	**	61	062 162 00 02824	Packing	1
KIT	**	62	062 162 00 02623	Packing	2
		63	15-542	Oil inlet cover	2
		64	040 415 00 01746	Set bolt	8
		65	150-242-3	Under cover	1
		66A	040 405 00 01696	Set bolt	8
		66B	040 432 00 01389	Spring washer	8
		66C	040 405 00 01691	Adjust bolt	4
KIT	**	67	062 162 00 02837	Packing	1
		68A	040 405 00 01678	Set bolt	8
		68B	040 432 00 01392	Spring washer	8
		68C	040 405 00 03170	Adjust bolt	2
		69A	040 405 00 02081	Stud bolt	12
		69B	040 432 00 01395	Spring washer	12
		69C	040 427 00 02016	Cap nut	12
		69D	040 405 00 01702	Adjust bolt	4
	**	70	062 162 00 02590	Packing	1



# TOYO PUMPS NORTH AMERICA CORPORATION

2853 Douglas Road  
Burnaby, BC V5C 6H2

Tel: (604) 298-1213 Fax: (604) 298-1224

\*\* CRITICAL SPARES  
\* RECOMMENDED SPARES  
KIT ITEMS ARE INCLUDED IN O-RING KIT  
CA ITEMS ARE INCLUDED IN CABLE ASSEMBLY

## PARTS LIST - DP150B-3D1

Ref. Dwg. No. A5658 Rev.0 to A5660 Rev.0

TPSD-002 Rev.0

Please use the part number when ordering.

Effective: October 11, 2002

	REF #	PART #	DESCRIPTION	QTY	
	71A	040 405 00 02077	Stud bolt	6	
	71B	040 432 00 01395	Spring washer	6	
	71C	040 427 00 02016	Cap nut	6	
	71D	040 405 00 01707	Adjust bolt	2	
*	72A	150B-300-3	Vortex casing	1	
	72B	040 412 00 01845	Stud bolt	12	
	72C	040 417 00 02042	Spring washer	12	
	72D	040 412 00 01788	Nut	12	
	72E	060 164 00 03211	Plate packing	1	
	77	150-258B-3	Oil seal housing B	1	
*	80	150-442-3	Delivery cover	1	
*	81	150B-309-3	Bend	1	
**	82	150B-406	Impeller	1	
**	83	206 054 12 03657	Impeller nut	1	
**	84	150B-711	Connective	1	
**	85	150-403-3	Impeller disc	1	
	86	150-340-3	Suction cover	1	
*	87A	040 405 00 02080	Stud bolt	6	
*	87B	040 432 00 01395	Spring washer	6	
*	87C	040 427 00 02016	Cap nut	6	
	88A	040 405 00 01694	Set bolt	6	
	88B	040 432 00 01389	Spring washer	6	
	89	150B-503	Strainer	1	
	90A	040 407 00 01985	Flat head bolt	8	
	90B	040 432 00 02046	Spring washer	8	
	90C	040 428 00 01403	Nut	8	
	91	150-583	Strainer plate	1	
**	92	150-499	Cutter fan	1	
	93A	040 405 00 02080	Stud bolt	12	
	93B	040 432 00 01395	Spring washer	12	
	93C	040 427 00 02016	Cap nut	12	
	93D	040 405 00 01702	Adjust bolt	4	
**	94	062 162 00 02590	Packing	1	
*	95	SM-20100S	Adjust bolt	6	
	96A	040 405 00 01666	Set bolt	12	
	96B	040 432 00 02044	Spring washer	12	
	97	150-H586	Set bolt	3	
**	98	066 164 12 03407	Packing	3	
KIT	**	100	062 162 00 02509	O-ring	1
*	101	204 050 12 07950	Distance collar	1	
*	102	150-717	Key	1	
CA	103	150-H156	Packing housing	1	
CA	104A	040 405 00 01892	Stud bolt	6	
CA	104B	040 432 00 01389	Spring washer	6	
CA	104C	040 427 00 02014	NM-2001S	6	
	108	060 164 00 03212	Plate packing	1	
	109A	040 405 00 02084	Stud bolt	8	
	109B	040 432 00 02898	Spring washer	8	
	109C	040 427 00 02017	Cap nut	8	
	110	100L-109	Hose nipple	1	
CA	**	112	062 162 00 04489	Packing	1



# TOYO PUMPS NORTH AMERICA CORPORATION

2853 Douglas Road  
Burnaby, BC V5C 6H2

Tel: (604) 298-1213 Fax: (604) 298-1224

\*\* CRITICAL SPARES

\* RECOMMENDED SPARES

KIT ITEMS ARE INCLUDED IN O-RING KIT

CA ITEMS ARE INCLUDED IN CABLE ASSEMBLY

## PARTS LIST - DP150B-3D1

Ref. Dwg. No. A5658 Rev.0 to A5660 Rev.0

TPSD-002 Rev.0

Please use the part number when ordering.

Effective: October 11, 2002

	REF #	PART #	DESCRIPTION	QTY
	113	64-245	Moisture sensor	1set
**	KIT	952 200 12 10806	O-ring kit	1
		012 200 00 08229	Moisture sensor relay	1
		821 200 12 08826	Water Jacket	1